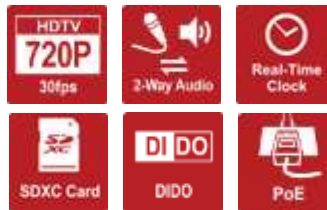


Megapixel Super Mini Network Camera

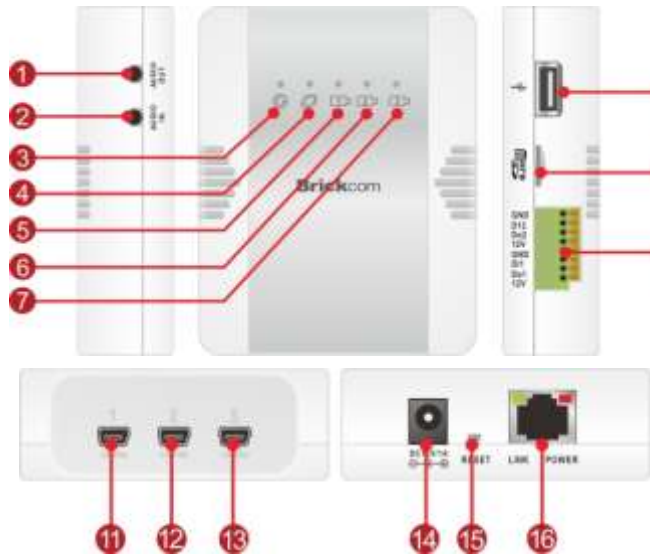
PH-100Ah Kit-B



- Smartest, Smallest and Affordable megapixel Camera
- HDTV Quality (720p @ 30fps Streaming)
- 3G USB dongle support
- Edge Storage Recording/ Micro SD slot (64GB support)
- Two Way Audio
- 2 Pairs Digital Input/ Output Support
- Power over Ethernet
- Multi-Camera Support (Up to 3)
- Up to 7 meters cable support
- Can be Installed on Any Wall through The Mini Mounting Kit



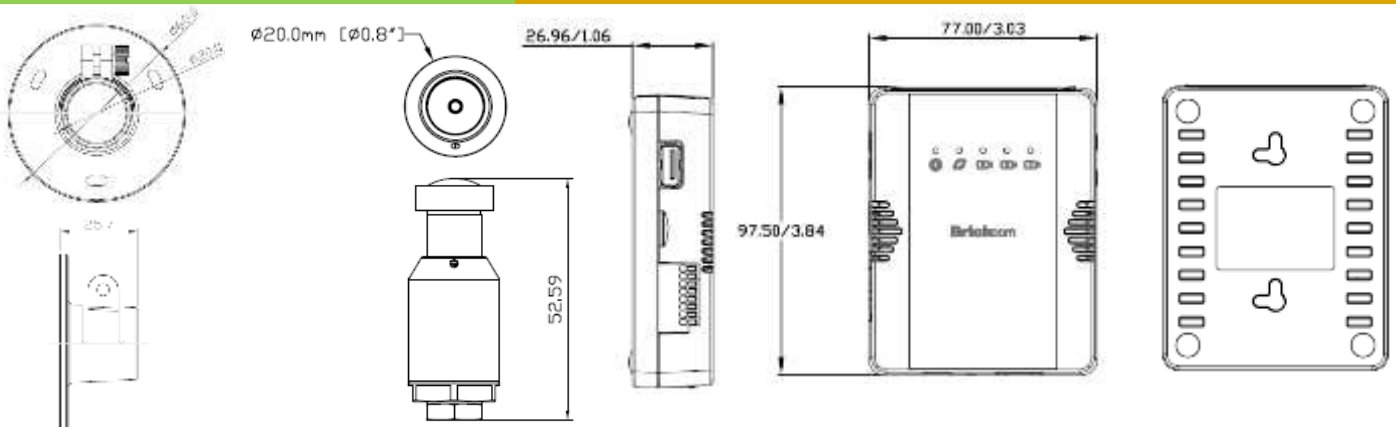
ONVIF



- | | |
|--------------------------------|----------------------------------|
| 1 Audio out | 9 Micro SD/SDHC/SDXC Card |
| 2 Audio in | 10 2 pairs of DI/DO |
| 3 Status | 11 Camera Port 1 |
| 4 Internet | 12 Camera Port 2 |
| 5 Camera Connected indicator 1 | 13 Camera Port 3 |
| 6 Camera Connected indicator 2 | 14 Power Jack (DC12V) |
| 7 Camera Connected indicator 3 | 15 Reset Button |
| 8 3G dongle USB port | 16 RJ45 connector (Ethernet/POE) |

PH-100Ah-01

VB-03



Camera

Product name PH-100Ah-01 Kit (VB-03 & PH-100Ah-01)

Hardware System CPU: 533 MHz
Flash: 32M
RAM: 256M DDR

Image Sensor Sensor Type : 1/4" CMOS sensor
Sensor Resolution : 1280x720 pixel

Lens Lens type: Board Lens
Focal Length:2.3mm
Iris: F2.5
View angle: (H): 100°/ (V): 56°/ (D):128°

Minimum Illumination 1.2 Lux (F2.5, Color)
1 Lux (F2.5, B/W)

Video Image Compression H.264
Simultaneous multiple streams

Image Resolution **1M:** 720p @ 30fps (for H.264)

Events and Alarm Management

Events Schedule/ Digital Input/Audio detection

Alarm Stream/Snapshot to:
FTP/Email/Samba/SD-Card/Audio Clip
HTTP/Email Notification/ Digital Output

Audio

Audio Streaming 2-way Audio Support

Local Storage MicroSD card support (up to 64G)

Audio Compression G.711, AMR (8 kHz, Mono, PCM)

Audio Input/ Output Line in/ out

Video

Video Setting Auto Exposure/ Gain/ White Balance Control
Manual Exposure Control: 1/20000~1/5s
Manual Gain Control: 1X ~ 32X
Manual White Balance Control:2000K~7000K

S/N Ratio 39 dB

General

Communication Ethernet : one 10/100Mbps RJ-45
Supported Protocols : TCP/IP, UDP, ICMP,
DHCP, NTP, DNS, DDNS, SMTP, FTP, HTTP,
Samba, PPPoE, UPnP, RTP, RTSP, RTCP, IPv6

Interface & Buttons Ethernet RJ45 Socket
Power Connector
2 DIDO Terminal I/O Connectors
Reset Button
Micro SD Card slot
3 mini USB Camera connectors
USB port for 3G dongle

LED indicator Internet
Status
3 USB Link (For camera 1, 2 & 3)

Power Input PoE 802.3af/ DC12V 1A

Max. Power Consumption 4.5 watts

Environment Operating Temperature
0°C ~ 50°C (32°F ~122°F),
Operating Humidity
10% ~ 80%

Certification FCC, CE,

Warranty Limited 2-year warranty

Network Equipment Options



PS-5881
8-port 10/100M PoE Fast Ethernet Switch



EXCB-5M
Super Mini Extension Cable - 5M



BP-1000
UPS power pack (Edge Recording)