
2Mp Full HD 30x Star Light Network IR PTZ Dome Camera



Features

- Powerful 30x optical zoom
- Ultra-low light star light camera
- H.264 & MJPEG Three-stream encoding
- Max 60fps@720P and 30fps@1080P resolution
- Defog, WDR, EIS, ROI, Day/Night(ICR), DNR (2D&3D), Auto iris, Auto focus, AWB, AGC,BLC
- Auto-tracking and IVS
- Multiple network monitoring: Web viewer, CMS(DSS/PSS) & DMSS
- Max 240° /s pan speed, 360° endless pan rotation
- Up to 300 presets, 5 auto scan, 8 tour, 5 pattern

-
- Built-in 7/2 alarm in/out
 - Support intelligent 3D positioning with DH-SD protocol
 - Micro SD memory, IP67, Hi-POE
 - IR Distance up to 150m

Technical Specifications

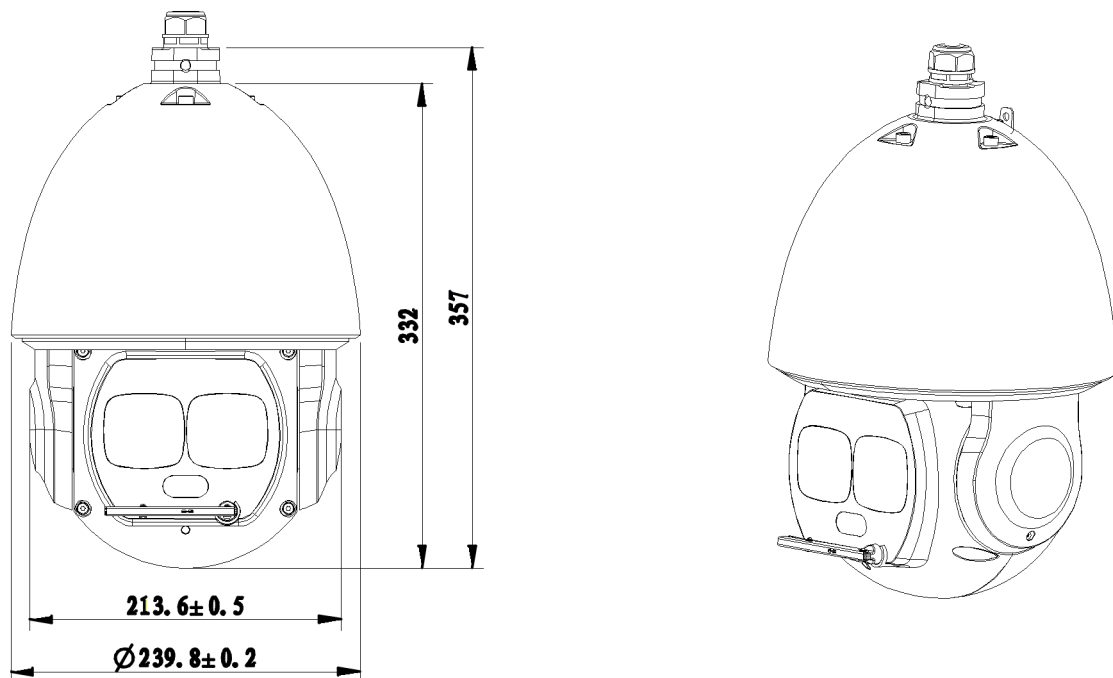
Model	DH-SD6AL230F-HNI-IR
Camera	
Image Sensor	1/1.9" CMOS
Effective Pixels	1944(H) x 1092(V), 2 Megapixels
Scanning System	Progressive
Electronic Shutter Speed	1/1 ~ 1/30,000s
Min. Illumination	Color: 0.005Lux@F1.6; B/W: 0.0005Lux@F1.6; 0Lux (IR on)
S/N Ratio	More than 56dB
Video Output	BNC(1.0Vp-p/75Ω), PAL / NTSC
Camera Features	
Day/Night	Auto(ICR) / Color / B/W
Backlight Compensation	BLC / HLC / WDR(120dB)
White Balance	Auto, ATW, Indoor, Outdoor, Manual
Gain Control	Auto / Manual
Noise Reduction	Ultra DNR (2D/3D)
Privacy Masking	Up to 24 areas
Digital Zoom	16x
EIS	Support
Defog	Support
Lens	
Focal Length	6mm~180mm(30x Optical zoom)
Max Aperture	F1.6 ~ F4.8
Focus Control	Auto / Manual

Angle of View	H: 61.2° ~ 2.32°	
Close Focus Distance	100mm~ 1000mm	
IR Light		
IR Light Control	Auto / Manual	
IR Distance	Up to 150m	
PTZ		
Pan/Tilt Range	Pan: 0° ~ 360° endless; Tilt: -10° ~ 90° , auto flip 180°	
Manual Control Speed	Pan: 0.1° ~240° /s; Tilt: 0.1° ~120° /s	
Preset Speed	Pan: 240° /s; Tilt: 200° /s	
Preset	300	
PTZ Mode	5 Pattern, 8 Tour, Auto Pan, Auto Scan	
Speed Setup	Human-oriented focal length/ speed adaptation	
Power up Action	Auto restore to previous PTZ and lens status after power failure	
Idle Motion	Activate Preset/ Scan/ Tour/ Pattern if there is no command in the specified period	
Time Task	Auto activation of Preset/ Pan/ Scan/ Tour/ Pattern by preset-time	
Protocol	DH-SD, Pelco-P/D (Auto recognition)	
Video		
Compression	H.264 / MJPEG	
Resolution	1080P(1920×1080) / 720P(1280×720) /D1(704×576/704×480) /CIF(352×288/352×240)	
Frame Rate	Main Stream	1080P/ D1 (1 ~ 25/30fps), 720P(1~50/60fps)
	Sub Stream 1	D1/CIF(1 ~ 25/30fps)

	Sub Stream 2	720P/D1/ CIF (1 ~ 25/30fps)
Bit Rate		H.264: 56K ~ 8192Kbps, MJPEG: 56K ~ 20480Kbps
Audio		
Compression		G.711a / G.711u(32kbps)/ PCM(128kbps)
Interface		1/1 channel In/Out
Intelligent Function		
Auto Tracking		Single-scene, multiple-scene, panorama-scene
IVS		Tripwire, Intrusion, Cross Warning Zone, Perimeter Protection, Loitering Detection, Abandoned Object Detection, Missing Object Detection, Illegal Parking, Fast Moving, Face Detection and etc.
Tracking Trigger Mode		Manual / Auto (alarm triggered)
Tracking Trigger Event		Targeting, Zoom, Tracking, Recording, Snapshot, Alarm and etc.
Network		
Ethernet		RJ-45 (10/100Base-T)
Protocol		IPv4/ IPv6, HTTP, HTTPS, SSL, TCP/IP, UDP, UPnP, ICMP, IGMP, SNMP, RTSP, RTP, SMTP, NTP, DHCP, DNS, PPPOE, DDNS, FTP, IP Filter, QoS, Bonjour, 802.1x
Compatibility		ONVIF PSIA CGI
Max. User Access		20 users
Smart Phone		iPhone, iPad, Android, Windows Phone
Auxiliary Interface		
Memory Slot		Micro SD, Max 64GB
Alarm		7/2 channel In/Out
General		

Power Supply	AC24V/3A($\pm 25\%$), Hi-POE
Power Consumption	20W, 43W (IR on, Heater on)
Working Environment	-40°C ~ 70°C / Less than 90% RH
Ingress Protection	IP67
Wiper	Yes
Dimensions	$\Phi 240(\text{mm}) \times 357(\text{mm})$
Weight	6.75kg

Dimensions (mm)



Accessories

		
DH-PFB303W	DH-PFA111	Power Supply

Accessories (Optional)

		
DH-PFB300C	DH-PFA112	DH-PFA113

		
DH-PFA120	DH-PFA150	DH-PFA151

Dahua Technology Co., Ltd.

1199 BinAn Road, Binjiang District, Hangzhou, China

Tel: +86-571-87688883

Fax: +86-571-87688815

Email: overseas@dahuatech.com

www.dahuasecurity.com

*Design and specifications are subject to change without notice.

© 2014 Dahua Technology