

IP Camera 200 Series HD - Quick Install

NDN-265-PIO

1 Disassemble

1

2

3

x4

microSDHC Card

Desiccant

2 Mount

2

Mount

Outer $\varnothing 6.0\text{mm}$ 4 Holes For Plastic Anchor

Torque To 8 kg-m (4 Holes)

Inner $\varnothing 3.3\text{mm}$ 4 Holes For T4 Type Screws

Camera Outline

Cut Line

x4

T4 ($\varnothing 3.3\text{ mm}$) x4

3 Network (Power)

3

Network (Power)

RJ45

Ethernet (PoE)

12 VDC

22AWG

5 mm (0.2 in)

4 Audio & I/O

4

Audio & I/O

Line in: 9 kOhm typ., 200 mVrms

Line out: 16 Ohm min. 200 mVrms (earphone compatible)

GND

Line - L

Line - R

In: 30AWG

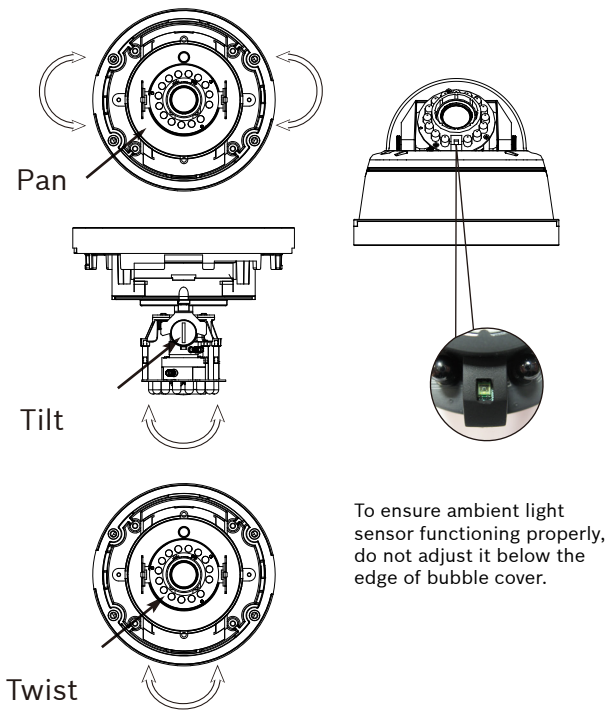
Out: 20AWG

Color

- Orange } Relay in
- Brown } Relay in
- Grey } Relay out
- Red } Relay out

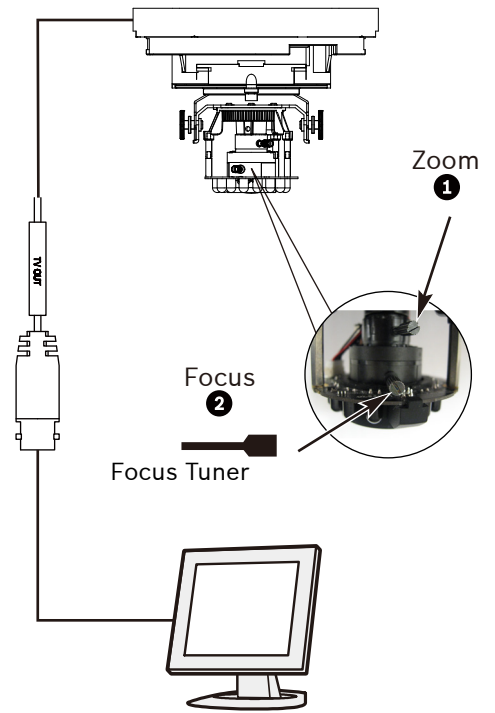
5

View Angle Adjustment



6

Focus



7

Bosch Video Client



8

Wizard



Default IP: 192.168.0.1