

INSTALLATION GUIDE

AXIS Q1615-E Network Camera

ENGLISH

FRANÇAIS

DEUTSCH

ITALIANO

ESPAÑOL

日本語

Legal Considerations

Video and audio surveillance can be regulated by laws that vary from country to country. Check the laws in your local region before using this product for surveillance purposes.

This product includes one (1) H.264 decoder license and one (1) AAC decoder license. To purchase further licenses, contact your reseller.

Liability

Every care has been taken in the preparation of this document. Please inform your local Axis office of any inaccuracies or omissions. Axis Communications AB cannot be held responsible for any technical or typographical errors and reserves the right to make changes to the product and manuals without prior notice. Axis Communications AB makes no warranty of any kind with regard to the material contained within this document, including, but not limited to, the implied warranties of merchantability and fitness for a particular purpose. Axis Communications AB shall not be liable nor responsible for incidental or consequential damages in connection with the furnishing, performance or use of this material. This product is only to be used for its intended purpose.

Intellectual Property Rights

Axis AB has intellectual property rights relating to technology embodied in the product described in this document. In particular, and without limitation, these intellectual property rights may include one or more of the patents listed at www.axis.com/patent.htm and one or more additional patents or pending patent applications in the US and other countries.

This product contains licensed third-party software. See the menu item "About" in the product's user interface for more information.

This product contains source code copyright Apple Computer, Inc., under the terms of Apple Public Source License 2.0 (see www.opensource.apple.com/aps/). The source code is available from <https://developer.apple.com/bonjour/>

Equipment Modifications

This equipment must be installed and used in strict accordance with the instructions given in the user documentation. This equipment contains no user-serviceable components. Unauthorized equipment changes or modifications will invalidate all applicable regulatory certifications and approvals.

Trademark Acknowledgments

AXIS COMMUNICATIONS, AXIS, ETRAX, ARTPEC and VAPIX are registered trademarks or trademark applications of Axis AB in various jurisdictions. All other company names and products are trademarks or registered trademarks of their respective companies.

Apple, Boa, Apache, Bonjour, Ethernet, Internet Explorer, Linux, Microsoft, Mozilla, Real, SMPTE, QuickTime, UNIX, Windows, Windows Vista and WWW are registered trademarks of the respective holders. Java and all Java-based trademarks and logos are trademarks or registered trademarks of Oracle and/or its affiliates. UPnP™ is a certification mark of the UPnP™ Implementers Corporation.

SD, SDHC and SDXC are trademarks or registered trademarks of SD-3C, LLC in the United States, other countries or both. Also, miniSD, microSD, miniSDHC, microSDHC, microSDXC are all trademarks or registered trademarks of SD-3C, LLC in the United States, other countries or both.

Support

Should you require any technical assistance, please contact your Axis reseller. If your questions cannot be answered immediately, your reseller will forward your queries through the appropriate channels to ensure a rapid response. If you are connected to the Internet, you can:

- download user documentation and software updates
- find answers to resolved problems in the FAQ database. Search by product, category, or phrase
- report problems to Axis support staff by logging in to your private support area
- chat with Axis support staff (selected countries only)
- visit Axis Support at www.axis.com/techsup/

Learn More!

Visit Axis learning center www.axis.com/academy/ for useful trainings, webinars, tutorials and guides.

Regulatory Information

Europe

CE This product complies with the applicable CE marking directives and harmonized standards:

- Electromagnetic Compatibility (EMC) Directive 2004/108/EC. See *Electromagnetic Compatibility (EMC)*, on page 2.
- Low Voltage (LVD) Directive 2006/95/EC. See *Safety*, on page 3.
- Restrictions of Hazardous Substances (RoHS) Directive 2011/65/EU. See *Disposal and Recycling*, on page 3.

A copy of the original declaration of conformity may be obtained from Axis Communications AB. See *Contact Information*, on page 3.

Electromagnetic Compatibility (EMC)

This equipment has been designed and tested to fulfill applicable standards for:

- Radio frequency emission when installed according to the instructions and used in its intended environment.
- Immunity to electrical and electromagnetic phenomena when installed according to the instructions and used in its intended environment.

USA

Using an unshielded network cable (UTP) – This equipment has been tested using an unshielded network cable (UTP) and found to comply with the limits for a Class A digital device, pursuant to part 15 of the FCC Rules. These limits are designed to provide reasonable protection against harmful interference when the equipment is operated in a commercial environment. This equipment generates, uses, and can radiate radio frequency energy and, if not installed and used in accordance with the instruction manual, may cause harmful interference to radio communications. Operation of this equipment in a residential area is likely to cause harmful interference in which case the user will be required to correct the interference at his own expense.

Using a shielded network cable (STP) – This equipment has also been tested using a shielded network cable (STP) and found to comply with the limits for a Class B digital device, pursuant to part 15 of the FCC Rules. These limits are designed to provide reasonable protection against harmful interference in a residential installation. This equipment generates, uses and can radiate radio frequency energy and, if not installed and used in accordance with the instructions, may cause harmful interference to radio communications. However, there is no guarantee that interference will not occur in a particular installation. If this equipment does cause harmful interference to radio or

television reception, which can be determined by turning the equipment off and on, the user is encouraged to try to correct the interference by one or more of the following measures:

- Reorient or relocate the receiving antenna.
- Increase the separation between the equipment and receiver.
- Connect the equipment into an outlet on a circuit different from that to which the receiver is connected.
- Consult the dealer or an experienced radio/TV technician for help.

To be used in a residential area or a demanding electrical environment, the product shall be connected using a shielded network cable (STP) that is properly grounded.

Canada

This Class B digital apparatus complies with Canadian ICES-003. The product shall be connected using a shielded network cable (STP) that is properly grounded.

Cet appareil numérique de la classe B est conforme à la norme NMB-003 du Canada. Le produit doit être connecté à l'aide d'un câble réseau blindé (STP) qui est correctement mis à la terre.

Europe

This digital equipment fulfills the requirements for RF emission according to the Class B limit of EN 55022. The product shall be connected using a shielded network cable (STP) that is properly grounded.

This product fulfills the requirements for emission and immunity according to EN 50121-4 and IEC 62236-4 railway applications.

This product fulfills the requirements for immunity according to EN 61000-6-1 residential, commercial and light-industrial environments.

This product fulfills the requirements for immunity according to EN 61000-6-2 industrial environments.

This product fulfills the requirements for immunity according to EN 55024 office and commercial environments

Australia/New Zealand

This digital equipment fulfills the requirements for RF emission according to the Class B limit of AS/NZS CISPR 22. The product shall be connected using a shielded network cable (STP) that is properly grounded.

Japan

この装置は、クラスB情報技術装置です。この装置は、家庭環境で使用することを目的としていますが、この装置がラジオやテレビジョン受信機に近接して使用されると、受信障害を引き起こすことがあります。取扱説明書に従って正しい取り扱いをして下さい。本製品は、シールドネットワークケーブル(STP)を使用して接続してください。また適切に接地してください。

Korea

이 기기는 가정용(B급) 전자파적합기기로서 주로 가정에서 사용하는 것을 목적으로 하며, 모든 지역에서 사용할 수 있습니다. 적절히 접지된 STP (shielded twisted pair) 케이블을 사용하여 제품을 연결 하십시오.

Safety

This product complies with IEC/EN/UL 60950-1 and IEC/EN/UL 60950-22, Safety of Information Technology Equipment. The product shall be grounded either through a shielded network cable (STP) or other appropriate method.

Disposal and Recycling

When this product has reached the end of its useful life, dispose of it according to local laws and regulations. For information about your nearest designated collection point, contact your local authority responsible for waste disposal. In accordance with local legislation, penalties may be applicable for incorrect disposal of this waste.

Europe



This symbol means that the product shall not be disposed of together with household or commercial waste. Directive 2012/19/EU on waste electrical and electronic equipment (WEEE) is applicable in the European Union member states. To prevent potential harm to human health and the environment, the product must be disposed of in an approved and environmentally safe recycling process. For information about your nearest designated collection point, contact your local authority responsible for waste disposal. Businesses should contact the product supplier for information about how to dispose of this product correctly.

This product complies with the requirements of Directive 2011/65/EU on the restriction of the use of certain hazardous substances in electrical and electronic equipment (RoHS).

China



This product complies with the requirements of the legislative act Administration on the Control of Pollution Caused by Electronic Information Products (ACPEIP).

Contact Information

Axis Communications AB
Emdalavägen 14
223 69 Lund
Sweden

Tel: +46 46 272 18 00

Fax: +46 46 13 61 30

www.axis.com

Safety Information

Read through this Installation Guide carefully before installing the product. Keep the Installation Guide for future reference.

Hazard Levels

▲DANGER

Indicates a hazardous situation which, if not avoided, will result in death or serious injury.

▲WARNING

Indicates a hazardous situation which, if not avoided, could result in death or serious injury.

▲CAUTION

Indicates a hazardous situation which, if not avoided, could result in minor or moderate injury.

NOTICE

Indicates a situation which, if not avoided, could result in damage to property.

Other Message Levels

Important

Indicates significant information which is essential for the product to function correctly.

Note

Indicates useful information which helps in getting the most out of the product.

Safety Instructions

NOTICE

- The Axis product shall be used in compliance with local laws and regulations.
- To use the Axis product outdoors, or in similar environments, it shall be installed in an approved outdoor housing.
- Store the Axis product in a dry and ventilated environment.
- Avoid exposing the Axis product to shocks or heavy pressure.
- Do not install the product on unstable brackets, surfaces or walls.
- Use only applicable tools when installing the Axis product. Excessive force could cause damage to the product.
- Do not use chemicals, caustic agents, or aerosol cleaners. Use a clean cloth dampened with pure water for cleaning.
- Use only accessories that comply with technical specification of the product. These can be provided by Axis or a third party.
- Use only spare parts provided by or recommended by Axis.
- Do not attempt to repair the product by yourself. Contact Axis support or your Axis reseller for service matters.

Transportation

NOTICE

- When transporting the Axis product, use the original packaging or equivalent to prevent damage to the product.

Battery

The Axis product uses a 3.0 V BR/CR2032 lithium battery as the power supply for its internal real-time clock (RTC). Under normal conditions this battery will last for a minimum of five years.

Low battery power affects the operation of the RTC, causing it to reset at every power-up. When the battery needs replacing, a log message will appear in the product's server report. For more information about the server report, see the product's setup pages or contact Axis support.

The battery should not be replaced unless required, but if the battery does need replacing, contact Axis support at www.axis.com/techsup for assistance.

⚠WARNING

- Risk of explosion if the battery is incorrectly replaced.
- Replace only with an identical battery or a battery which is recommended by Axis.
- Dispose of used batteries according to local regulations or the battery manufacturer's instructions.

Installation Guide

This Installation Guide provides instructions for installing AXIS Q1615-E Network Camera on your network. For other aspects of using the product, see the User Manual available at www.axis.com

Installation Steps

1. Make sure the package contents, tools and other materials necessary for the installation are in order. See *page 9*.
2. Study the hardware overview. See *page 10*.
3. Study the specifications. See *page 16*.
4. Install the hardware. See *page 19*.
5. Access the product. See *page 21*.
6. Set the focus. See *page 21*.

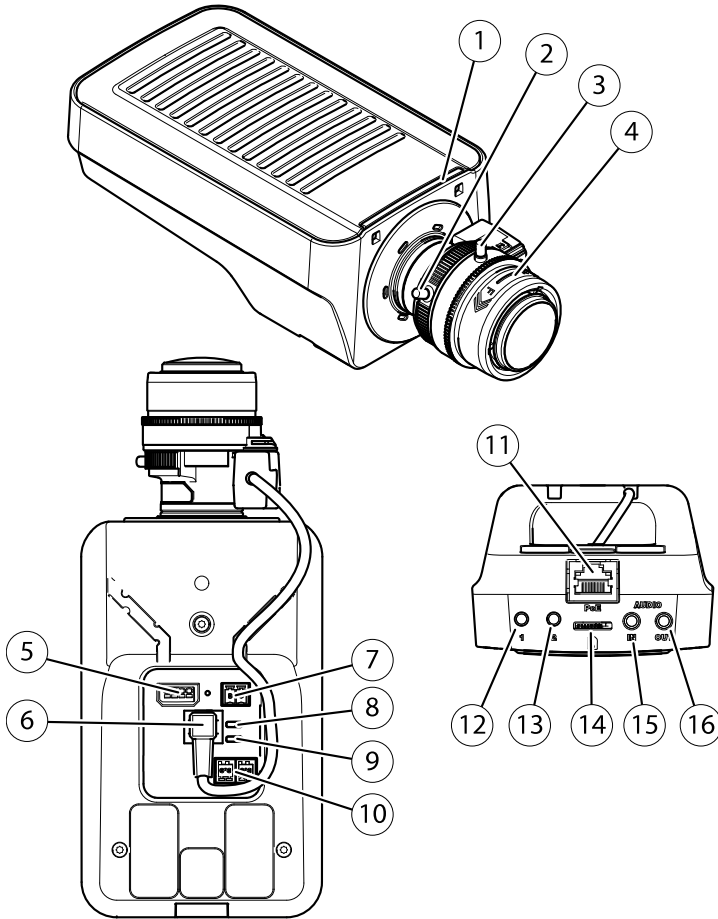
Package Contents

- AXIS Q1615-E Network Camera
- 4-pin I/O connector block for connecting external devices
- 2-pin RS485/422 connector block (x2)
- Wall mount
- Torx screwdriver T20
- Installation and Management Software CD
- Printed materials
 - Installation Guide (this document)
 - Extra serial number label (2x)
 - AVHS Authentication key

Optional Accessories

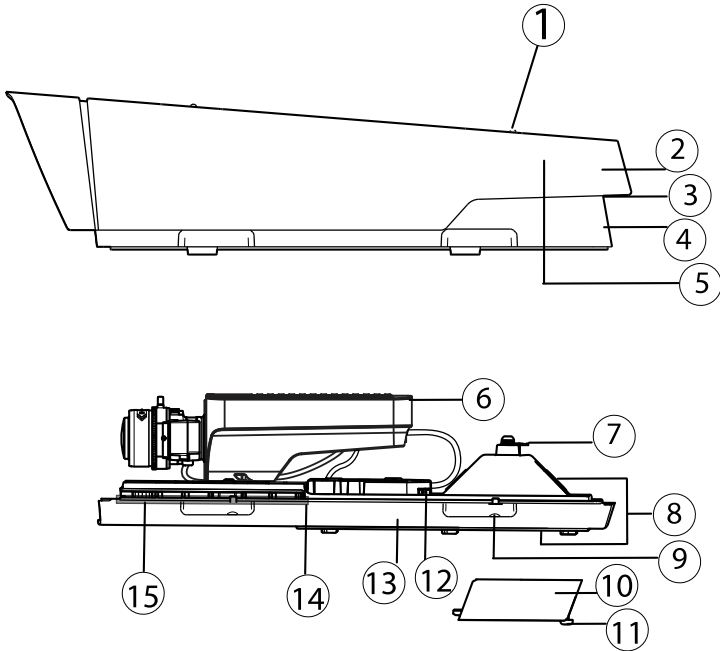
For information about available accessories, including power accessories and outdoor housings see www.axis.com

Hardware Overview



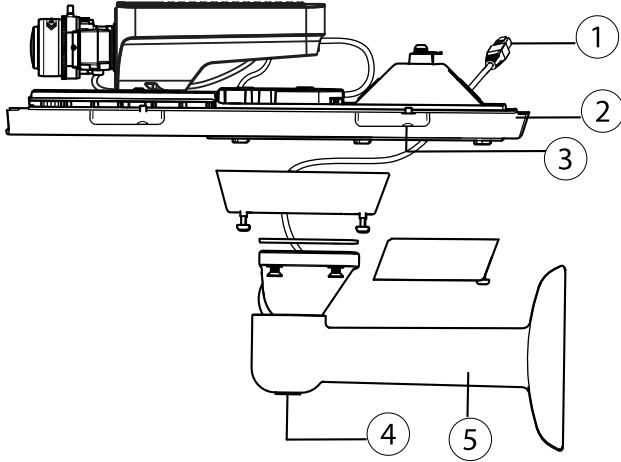
1. Status LED indicator
2. Zoom puller
3. Lock screw for focus ring
4. Focus ring
5. I/O connector
6. Iris connector
7. Power connector
8. Power LED indicator
9. Network LED indicator

10. RS485/RS422 connector
11. Network connector (PoE)
12. Control button (1)
13. Function button (2)
14. microSD Card slot
15. Audio in
16. Audio out



1. Sunshield adjustment screw (2x)
2. Sunshield
3. Product number (P/N) & Serial number (S/N). The serial number may be required during installation.
4. Top Cover
5. De-humidifying membrane. Do not remove!
6. Network camera
7. Safety wire tab
8. Cable holes with cable gland
9. Bottom cover screws (4x)
10. Cable cover
11. Cable cover screws (2x)
12. Network connector

13. Bottom cover
14. Heater. **Caution!** May be hot.
15. Heater. **Caution!** May be hot.



1. Network cable (route through wall bracket)
2. Bottom cover
3. Bottom cover screws (4x)
4. Bracket adjustment screw
5. Wall mount

LED Indicators

LED	Color	Indication
Net-work	Green	Steady for connection to a 100 Mbit/s network. Flashes for network activity.
	Amber	Steady for connection to a 10 Mbit/s network. Flashes for network activity.
	Unlit	No network connection.
Status	Green	Steady green for normal operation.
	Amber	Steady during startup and when restoring settings.
	Red	Slow flash for failed upgrade.

Power	Green	Normal operation.
	Amber	Flashes green/amber during firmware upgrade.

Note

- The Status LED can be configured to be unlit during normal operation. To configure, go to **Setup > System Options > Ports & Devices > LED**. See the online help for more information.
- The Status LED can be configured to flash while an event is active.
- The Status LED can be configured to flash for identifying the unit. Go to **Setup > System Options > Maintenance** .
- The Power LED can be configured to be unlit during normal operation. To configure, go to **Setup > System Options > Ports & Devices > LED**. See the online help for more information.
- The Network LED can be disabled so that it does not flash when there is network traffic. To configure, go to **Setup > System Options > Ports & Devices > LED**. See the online help for more information.

LED	Color	Indication
Housing (fan and heater)	Green	Normal operation.
	Flashing green	Single flash: Heater error Double flash: Fan error Triple flash: General error Alarm events will be triggered through the camera's input port. Contact your Axis reseller for information about spare parts and troubleshooting.

Note

This status LED referred to in the table above is located in the housing.

Status LED Behavior for Focus Assistant

Color	Indication
Green	Focus Assistant is enabled The lens is optimally adjusted
Amber	The camera has been moved, or an object has been inserted in front of the lens. Exit and restart the Focus Assistant. The lens is less optimally adjusted.
Red	The camera has been moved, or an object has been inserted in front of the lens. Exit and restart the Focus Assistant. The lens is poorly adjusted.

Buzzer Signal for Focus Assistant

Buzzer	Lens
Fast interval	Optimally adjusted
Medium interval	Less optimally adjusted
Slow interval	Poorly adjusted

Status LED Behavior and Buzzer Signal for Levelling Assistant

For information on the Function button used for levelling the camera, see *Connectors and Buttons*.

Color	Buzzer	Camera position
Fixed green	Continuous beep	Level
Flashing green	Fast interval	Almost level
Flashing orange	Medium interval	Not level
Flashing red	Slow interval	Far from level

Connectors and Buttons

For specifications and operating conditions, see *page 16*.

Network Connector

RJ45 Ethernet connector with Power over Ethernet (PoE).

NOTICE

Due to local regulations or the environmental and electrical conditions in which the product is to be used, a shielded network cable (STP) may be appropriate or required. All cables connecting the product to the network and that are routed outdoors or in demanding electrical environments shall be intended for their specific use. Make sure that the network devices are installed in accordance with the manufacturer's instructions. For information about regulatory requirements, see *Electromagnetic Compatibility (EMC)*, on page 2.

I/O Connector

Use with external devices in combination with, for example, tampering alarms, motion detection, event triggering, time lapse recording and alarm notifications. In addition to the 0 V DC reference point and power (DC output), the I/O connector provides the interface to:

- **Digital output** – For connecting external devices such as relays and LEDs. Connected devices can be activated by the VAPIX® Application Programming Interface, output buttons on the Live View page or by an Action Rule. The output will show as active (shown under **System Options > Ports & Devices**) if the alarm device is activated.
- **Digital input** – An alarm input for connecting devices that can toggle between an open and closed circuit, for example: PIRs, door/window contacts, glass break detectors, etc. When a signal is received the state changes and the input becomes active (shown under **System Options > Ports & Devices**).

Note

The I/O connector is connected to the housing (fan/heater) on delivery. In the case of a fan or heater error, an input signal will be triggered in the camera. Set up an action rule in the camera to configure which action the signal shall trigger. For information about events and action rules, see the User Manual available on www.axis.com

Audio Connector

The Axis product has the following audio connectors:

- **Audio in (pink)** – 3.5 mm input for a mono microphone, or a line-in mono signal (left channel is used from a stereo signal).
- **Audio out (green)** – 3.5 mm output for audio (line level) that can be connected to a public address (PA) system or an active speaker with a built-in amplifier. A stereo connector must be used for audio out.

RS485/RS422 Connector

Two terminal blocks for RS485/RS422 serial interface used to control auxiliary equipment such as PTZ devices.

SD Card Slot

A microSD card (not included) can be used for local recording with removable storage. For more information, see *Specifications, on page 16*.

NOTICE

To prevent corruption of recordings, the SD card should be unmounted before removal. To unmount, go to **Setup > System Options > Storage > SD Card** and click **Unmount**.

Control Button

The control button is used for:

- Resetting the product to factory default settings. See *page 23*.
- Connecting to an AXIS Video Hosting System service or AXIS Internet Dynamic DNS Service. For more information about these services, see the User Manual.

Function Button

The function button has multiple functions:

- **Levelling assistant** – This function helps to ensure the camera is level. Press the button for about 3 seconds to start the levelling assistant and press again to stop the leveling assistant. The status LED (see *page 14*) and buzzer signal (see *page 14*) assist levelling of the camera. The camera is level when the buzzer beeps continuously.
- **Focus assistant** – This function is used for enabling the Focus Assistant. To enable the focus assistant, press and very quickly release the button. Press again to stop the focus assistant. For more information, see *page 22*.

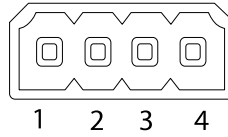
Specifications

Product	Temperature	Humidity
AXIS Q1615-E	-30 °C to 50 °C (-22 °F to 122 °F) with PoE; down to -40 °C (- 40 °F with High PoE	10-100% RH (condensing)

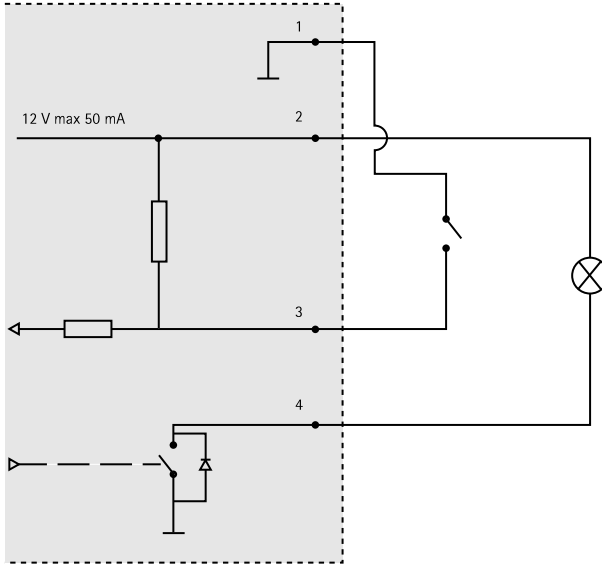
I/O connector

4-pin terminal block for:

- 0 V DC (-)
- Auxiliary power (DC output)
- Digital Input
- Digital Output



Function	Pin	Notes	Specifications
0 V DC (-)	1		
DC output	2	Can be used to power auxiliary equipment. Note: This pin can only be used as power out.	12 V DC Max load = 50 mA
Configurable (Input or Output)	3- 4	Digital input – Connect to pin 1 to activate, or leave floating (unconnected) to deactivate.	0 to max 30 V DC
		Digital output – Connected to pin 1 when activated, floating (unconnected) when deactivated. If used with an inductive load, e.g. a relay, a diode must be connected in parallel with the load, for protection against voltage transients.	0 to max 30 V DC, open drain, 100 mA



- 3. I/O configured as input
- 4. I/O configured as output

Audio Connector

3.5 mm audio connectors (stereo)

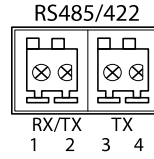


	1 Tip	2 Ring	3 Sleeve
Audio Input	Microphone/Line in Balanced Microphone Hot (+) In/Unbalance Microphone In/Line In	Balanced Microphone Cold (-) In	Ground
Audio Output	Line out (mono)		Ground

RS485/422 Connector

Two 2-pin terminal blocks for RS485/RS422 serial interface. The serial port can be configured to support:

- Two-wire RS485 half duplex
- Four-wire RS485 full duplex
- Two-wire RS422 simplex
- Four-wire RS422 full duplex point to point communication



Function	Pin	Notes
RS485B alt RS485/422 RX(B)	1	RX pair for all modes (combined RX/TX for 2-wire RS485)
RS485A alt RS485/422 RX(A)	2	
RS485/RS422 TX(B)	3	TX pair for RS422 and 4-wire RS485
RS485/RS422 TX(A)	4	

Important

The recommended maximum cable length is 30 m (98.4 ft).

SD Card Slot

Supports microSD cards with up to 64 GB of storage. For best recording performance, use a microSDHC UHS-I or microSDXC UHS-I card. In temperatures below – 25° C use industrial grade SD card.

Install the Hardware

Do the following to install the wall bracket:

Note

- The weight of the camera is 3525 g (7.7 lb). Check that the material is strong enough to support this weight.
 - Using any other than the provided cable gland may cause water to seep in and damage the product.
 - Always use a shielded network cable (STP) intended for outdoor use between the Axis product and the end point and ensure that the end point is properly grounded. Installations of Axis products using a shielded network cable (STP) and a properly grounded end point have been tested to comply with industry immunity standard levels such as surge protection. Any other installation method will void the warranty and leave the unit at a risk.
 - An optional cable with a diameter of 4.0 mm - 5.5 mm should be routed through a separate cable gland. See *Hardware Overview, on page 10*.
1. Use the supplied drill template to prepare a wall or pole for installation of the wall bracket.
 2. Route the network cable through the wall bracket, and through the bracket adapter. Leave approximately 30 cm (11.8") of cable for connecting to the camera.
 3. Install the wall bracket on a wall, ceiling, or pole using screws and plugs appropriate for the material (e.g. wood, metal, sheet rock, stone).

Do the following to route the network and other (optional) cables:

1. Loosen the cable cover screws; detach the cable cover from the bottom cover.
2. Remove the cap, the plug and the gasket from the cable gland to be used.
3. Route the network cable through the cap.
4. Slide the network cable through the slit in the gasket.
5. Route the network cable through the cable gland.
6. Press the gasket into the cable gland and screw the cap on firmly.

Do the following to attach the camera to the wall bracket

1. Place the camera with the bottom cover on the wall bracket and tighten the bracket screws.
2. Replace the cable cover and tighten the screws.
3. Connect the cables. See *Connect the Cables, on page 21*.
4. Loosen the bracket adjustment screw to focus the camera; focus the camera according to the instructions under *Adjust Focus, on page 21*.
5. Also see *Access the Product, on page 21* to access the video stream.
6. Attach the safety wire in the top cover to the tab in the bottom cover. See image under *Hardware Overview, on page 10*.

7. Optionally insert an SD memory card (not included) into the SDHC (Secure Digital High Capacity) card slot. A standard or high capacity SD card is required to store images locally in the camera.

Connect the Cables

1. Optionally connect external input/output devices. See , on page 16.
2. Connect the network cable to the network connector in the housing.

NOTICE

Due to local regulations or the environmental and electrical conditions in which the product is to be used, a shielded network cable (STP) may be appropriate or required. Any network cables that are routed outdoors or in demanding electrical environments shall be shielded (STP) and intended for their specific use.

Access the Product

Use the tools provided on the Installation and Management Software CD to assign an IP address, set the password and access the video stream. This information is also available from the support pages on www.axis.com/techsup/

Adjust Focus

To adjust the zoom and focus follow these instructions:

Note

- Set focus as precisely as possible with the focus ring or Focus Assistant before starting automatic fine tuning. Using the focus ring normally gives the best result.
 - The iris should always be opened to its maximum while focusing. This gives the smallest depth of field and thus the best conditions for correct focusing.
1. Open the product's home page and go to **Setup > Basic Setup > Focus**.
 2. Under the **Basic** tab, click **Open iris**. If the button is inactive the iris is already open.
 3. If focus has been set before, click **Reset** to reset the back focus.
 4. Loosen the zoom puller and the lock screw for the focus ring (see *Hardware Overview, on page 10*) on the lens by turning them counter-clockwise. Move the zoom puller and the focus ring to set zoom and focus and check the quality of the image in the image window. If the camera is mounted so that you cannot look at the image and move the zoom puller and the focus ring at the same time, use the Focus Assistant instead. See *Focus Assistant, on page 22*.
 5. Re-tighten the zoom puller and the lock screw for the focus ring.
 6. On the Focus page, click **Fine-tune focus automatically** and wait until automatic fine tuning is completed.

7. Click **Enable iris**. If the button is inactive the iris is already enabled.
8. If needed, make further adjustments under the **Advanced** tab. See the online help for more information.

Focus Assistant

Note

- The view in front of the camera should not be changed during focus adjustment (steps 5 and 6). If the camera is moved, or if a finger or other object is placed in front of the lens, steps 3 - 7 will have to be repeated.
- If movements in front of the camera cannot be avoided, the Focus Assistant should not be used.
- If the camera is mounted so that the Function button cannot be accessed, you can still use the Focus Assistant. Follow the instructions above but mount the camera after step 4, pressing the Function button instead and skip step 7.

To focus your network camera using the Focus Assistant, follow steps 1 - 3 on *page 21* before you start with the steps below. See *Hardware Overview, on page 10*.

1. Mount or place the camera so that it cannot be moved.
2. Loosen the zoom puller by turning it counter-clockwise. Move the puller to set the zoom level. Re-tighten the zoom puller.
3. Set the camera to its extreme distant-focus position by loosening the lock screw for the focus ring and turning the focus ring fully counter-clockwise.
4. Press and quickly release the Function button. When the Status LED flashes green, the Focus Assistant is enabled.
If the Status LED flashes either red or amber before you are able to adjust the lens, skip to step 7 to exit the Focus Assistant and repeat steps 3 - 7. See the notes above. See *Status LED Behavior for Focus Assistant, on page 14*.
5. Gently turn the focus ring clockwise until it stops.
6. Turn the focus ring slowly counter-clockwise until the status indicator flashes green or amber (not red).
7. To exit the Focus Assistant, press the Function button again. The Focus Assistant is switched off automatically after 15 minutes.
8. Retighten the lock screw for the focus ring.
9. Open the **Live View** page in the web browser and check the quality of the image.
10. On the Focus page, click **Fine-tune focus automatically** and wait until automatic fine tuning is completed.
11. Click **Enable iris**. If the button is inactive the iris is already enabled.
12. If needed, make further adjustments under the **Advanced** tab. See the online help for more information.

Replacing the lens

It is possible to use optional lenses for the Axis product.

To replace the lens:

1. Disconnect the iris cable.
2. Unscrew the standard lens.
3. Attach and screw on the new lens.

To change the iris configuration:

1. Go to **Setup > Video and Audio > Camera Settings**. Iris configuration shows the current configured iris type.
2. Click **Edit**.
3. Select the installed iris lens from the drop-down list and click **OK**.

To change the iris configuration for P-iris lenses not listed in the drop-down list:

1. Download the iris configuration file from www.axis.com
2. Go to **Setup > Video and Audio > Camera Settings**. Iris configuration shows the current configured iris type.
3. In **Iris configuration**: Click **Edit**.
4. Go to the **Upload** tab.
5. Click **Browse** and select the configuration file.
6. Click **Upload**. The installed iris lens should now be included in the **Iris Selection** drop-down list.
7. Select the installed iris lens from the drop-down list and click **OK**.

Note

- If you select a DC iris configuration file for a P-iris lens, an error message will appear below the iris configuration type in the **Camera Settings** page. For custom DC Iris lenses, select Generic DC Iris option.
- There is no need to restart the product after changing the lens. However, the product must be restarted if you are interchanging between a P-iris, DC-Iris or fixed/manual iris lens. In order to set the focus and position the lens, the product must be connected to the network.

Reset to Factory Default Settings

Important

Reset to factory default should be used with caution. A reset to factory default will reset all settings, including the IP address, to the factory default values.

Note

The installation and management software tools are available on the CD supplied with the product and from the support pages on www.axis.com/techsup

To reset the product to the factory default settings:

1. Disconnect power from the product.
2. Press and hold the control button and reconnect power. See *Hardware Overview*, on page 10.
3. Keep the control button pressed for about 15–30 seconds until the status LED indicator flashes amber.
4. Release the control button. The process is complete when the status LED indicator turns green. The product has been reset to the factory default settings. If no DHCP server is available on the network, the default IP address is 192.168.0.90
5. Using the installation and management software tools, assign an IP address, set the password, and access the video stream.
6. Refocus the product.

It is also possible to reset parameters to factory default via the web interface. Go to **Setup > System Options > Maintenance**.

Further Information

The User Manual is available at www.axis.com

Visit www.axis.com/techsup to check if there is updated firmware available for your network product. To see the currently installed firmware version, go to **Setup > About**.

Visit Axis learning center www.axis.com/academy for useful trainings, webinars, tutorials and guides.

Warranty Information

For information about Axis' product warranty and thereto related information, see www.axis.com/warranty/

Informations sur la sécurité

Lisez attentivement ce guide d'installation avant d'installer l'appareil. Conservez le guide d'installation pour toute référence ultérieure.

Niveaux de risques

▲ DANGER

Indique une situation dangereuse qui, si elle n'est pas évitée, entraînera le décès ou des blessures graves.

▲ AVERTISSEMENT

Indique une situation dangereuse qui, si elle n'est pas évitée, pourrait entraîner le décès ou des blessures graves.

▲ ATTENTION

Indique une situation dangereuse qui, si elle n'est pas évitée, pourrait entraîner des blessures légères ou modérées.

AVIS

Indique une situation qui, si elle n'est pas évitée, pourrait endommager l'appareil.

Autres niveaux de message

Important

Indique les informations importantes, nécessaires pour assurer le bon fonctionnement de l'appareil.

Note

Indique les informations utiles qui permettront d'obtenir le fonctionnement optimal de l'appareil.

Consignes de sécurité

AVIS

- Le produit Axis doit être utilisé conformément aux lois et réglementations locales en vigueur.
- Pour pouvoir utiliser le produit Axis à l'extérieur, ou dans des environnements similaires, il doit être installé dans un boîtier d'extérieur homologué.
- Conserver ce produit Axis dans un environnement sec et ventilé.
- Ne pas exposer ce produit Axis aux chocs ou aux fortes pressions.
- Ne pas installer ce produit sur des supports, surfaces ou murs instables.
- Utiliser uniquement des outils recommandés pour l'installation de l'appareil Axis. Une force excessive appliquée sur l'appareil pourrait l'endommager.
- Ne pas utiliser de produits chimiques, de substances caustiques ou de nettoyeurs pressurisés. Utiliser un chiffon propre imbibé d'eau pure pour le nettoyage.
- Utiliser uniquement des accessoires conformes aux caractéristiques techniques du produit. Ils peuvent être fournis par Axis ou un tiers.
- Utiliser uniquement les pièces de rechange fournies ou recommandées par Axis.
- Ne pas essayer de réparer ce produit par vous-même. Contacter l'assistance technique d'Axis ou votre revendeur Axis pour des problèmes liés à l'entretien.

Transport

AVIS

- Lors du transport du produit Axis, utilisez l'emballage d'origine ou un équivalent pour éviter d'endommager le produit.

Batterie

Le produit Axis utilise une batterie au lithium BR/CR2032 3,0 V comme alimentation de son horloge en temps réel interne (RTC). Dans des conditions normales, cette batterie a une durée de vie minimale de cinq ans.

Si la batterie est faible, le fonctionnement de l'horloge en temps réel peut être affecté et entraîner sa réinitialisation à chaque mise sous tension. Un message enregistré apparaît dans le rapport de serveur du produit lorsque la batterie doit être remplacée. Pour tout complément d'information concernant le rapport de serveur, reportez-vous aux pages de Configuration du produit ou contactez l'assistance technique d'Axis.

La batterie doit être remplacée uniquement en cas de besoin, et pour ce faire, contactez l'assistance technique d'Axis à l'adresse www.axis.com/techsup pour obtenir de l'aide.

⚠AVERTISSEMENT

- Risque d'explosion si la batterie est remplacée de façon incorrecte.
- Remplacez-la uniquement par une batterie identique ou une batterie recommandée par Axis.
- Mettez au rebut les batteries usagées conformément aux réglementations locales ou aux instructions du fabricant de la batterie.

Guide d'installation

Ce guide d'installation explique comment installer la caméra réseau AXIS Q1615-E sur votre réseau. Pour toute autre information relative à l'utilisation du produit, reportez-vous au manuel de l'utilisateur disponible sur le site www.axis.com

Procédures d'installation

1. Assurez-vous que les outils et autres matériels nécessaires à l'installation sont inclus dans l'emballage. Cf. *page 29*.
2. Consultez la description du matériel. Cf. *page 30*.
3. Étudiez les caractéristiques. Cf. *page 37*.
4. Installez le matériel. Cf. *page 39*.
5. Utilisez le produit. Cf. *page 41*.
6. Réglez la mise au point. Cf. *page 41*.

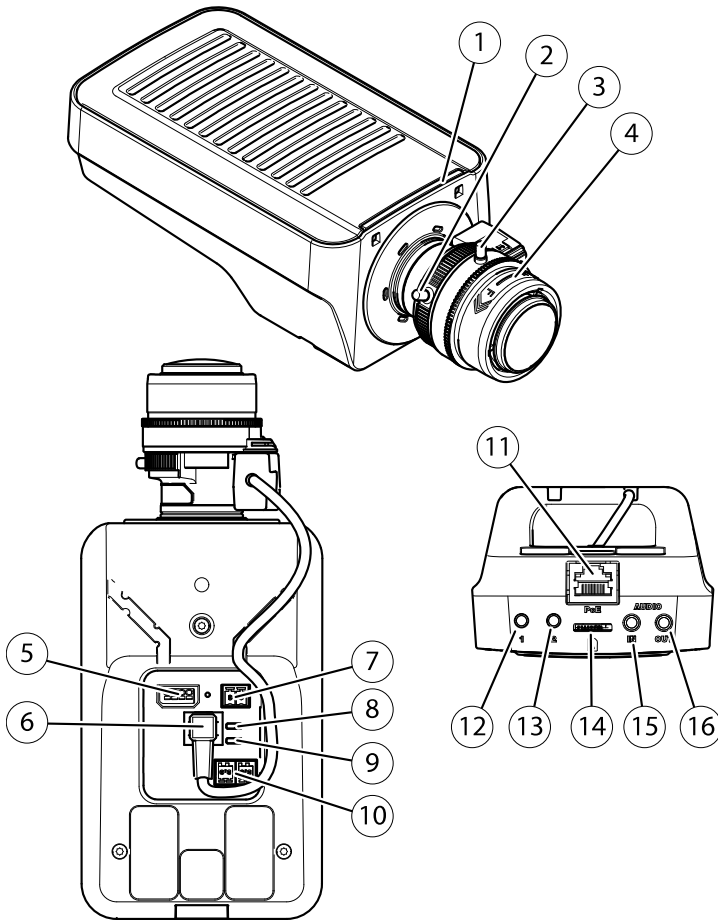
Contenu de l'emballage

- Caméra réseau AXIS Q1615-E
- Bloc de connexion à 4 broches pour le raccordement de dispositifs externes au connecteur pour terminaux E/S
- Bloc de connexion RS485/422 à 2 broches (x2)
- Fixation murale
- Tournevis Torx T20
- CD d'installation et de gestion
- Documents imprimés
 - Guide d'installation (ce document)
 - Étiquette supplémentaire reprenant le numéro de série (x2)
 - Clé d'authentification AVHS

Accessoires en option

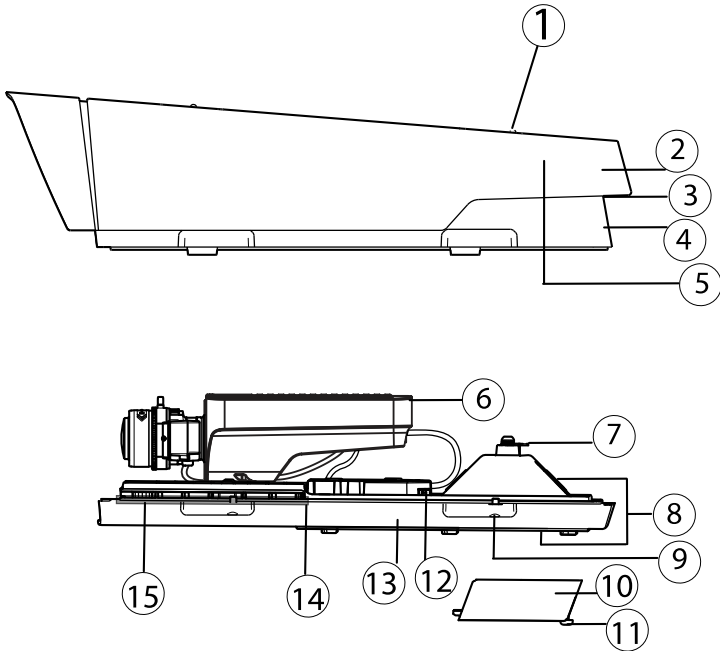
Pour plus d'informations sur les accessoires disponibles, y compris les accessoires d'alimentation et les boîtiers d'extérieur, consultez www.axis.com

Aperçu du matériel



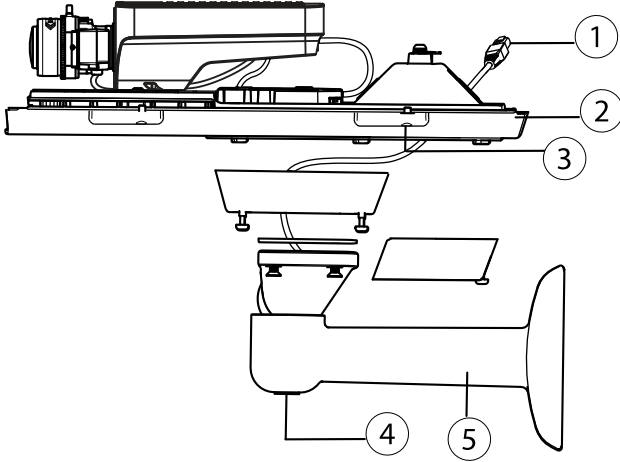
1. Voyant d'état
2. Commande de zoom
3. Vis de verrouillage de la bague de mise au point
4. Bague de mise au point
5. Connecteur d'E/S
6. Connecteur du diaphragme
7. Connecteur d'alimentation
8. Voyant DEL d'alimentation
9. Voyant DEL réseau

10. Connecteur RS485/RS422
11. Connecteur réseau (PoE)
12. Bouton de commande (1)
13. Bouton Fonction (2)
14. Logement de carte microSD
15. Entrée audio
16. Sortie audio



1. Vis de réglage du pare-soleil (x2)
2. Pare-soleil
3. Numéro de produit (P/N) et numéro de série (S/N). Le numéro de série peut être requis pendant l'installation.
4. Couvercle supérieur
5. Membrane de déshumidification. Ne pas retirer !
6. Caméra réseau
7. Patte de fil de sécurité
8. Trous de câbles et presse-étoupe
9. Vis du couvercle inférieur (x4)
10. Couvercle de câble
11. Vis du couvercle de câble (x2)
12. Connecteur réseau

13. Couvercle inférieur
14. Régulateur de chaleur. **Attention !** Peut être chaud.
15. Régulateur de chaleur. **Attention !** Peut être chaud.



1. Câble réseau (chemin à travers le support mural)
2. Couvercle inférieur
3. Vis du couvercle inférieur (x4)
4. Vis de réglage du support
5. Fixation murale

Voyants

Voyant	Couleur	Indication
Réseau	Vert	Fixe en cas de connexion à un réseau de 100 Mbits/s. Clignote en cas d'activité réseau.
	Orange	Fixe en cas de connexion à un réseau de 10 Mbits/s. Clignote en cas d'activité réseau.
	Éteint	Pas de connexion réseau.
État	Vert	Vert fixe en cas de fonctionnement normal.
	Orange	Fixe pendant le démarrage et lors de la restauration des paramètres.
	Rouge	Clignote lentement en cas d'échec de la mise à niveau.

Alimentation	Vert	Fonctionnement normal.
	Orange	Le voyant vert/orange clignote pendant la mise à niveau du microprogramme.

Note

- Le voyant d'état peut être éteint pendant le fonctionnement normal. Pour ce faire, rendez-vous dans **Setup > System Options > Ports & Devices > LED (Configuration > Options système > Ports et dispositifs > DEL)**. Consultez l'aide en ligne pour plus d'informations.
- Le voyant d'état peut clignoter lorsqu'un événement est actif.
- Le voyant d'état peut clignoter pendant l'identification de l'appareil. Rendez-vous dans **Setup > System Options > Maintenance (Configuration > Options du système > Maintenance)**.
- Le voyant d'alimentation peut être éteint pendant le fonctionnement normal. Pour ce faire, rendez-vous dans **Setup > System Options > Ports & Devices > LED (Configuration > Options du système > Ports et dispositifs > DEL)**. Consultez l'aide en ligne pour plus d'informations.
- Le voyant de réseau peut être désactivé afin qu'il ne clignote pas en cas de trafic réseau. Pour ce faire, rendez-vous dans **Setup > System Options > Ports & Devices > LED (Configuration > Options du système > Ports et dispositifs > DEL)**. Consultez l'aide en ligne pour plus d'informations.

Voyant	Couleur	Indication
Boîtier (ventilateur et régulateur de chaleur)	Vert	Fonctionnement normal.
	Clignote en vert	Clignote une seule fois : erreur au niveau du régulateur de chauffage. Clignote deux fois : erreur au niveau du ventilateur. Clignote trois fois : erreur générale. Les événements d'alarmes seront déclenchés par le biais du port d'entrée de la caméra. Contactez votre revendeur Axis pour obtenir de plus amples informations sur les pièces de rechange et les services de dépannage.

Note

Le voyant d'état figurant dans le tableau ci-dessus est situé dans le boîtier.

Comportement du voyant d'état pour l'assistant de mise au point

Couleur	Indication
Vert	L'assistant de mise au point est activé L'objectif est réglé de manière optimale.
Orange	La caméra a bougé ou un objet a été placé devant l'objectif. Quittez l'assistant de mise au point et recommencez. L'objectif est réglé de manière moins optimale.
Rouge	La caméra a bougé ou un objet a été placé devant l'objectif. Quittez l'assistant de mise au point et recommencez. L'objectif est mal réglé.

Signal sonore de l'assistant de mise au point

Avertisseur	Objectif
Intervalle rapide	Réglage optimal
Intervalle intermédiaire	Réglage moins optimal
Intervalle lent	Réglage médiocre

Comportement du voyant d'état et du signal sonore pour l'assistant de nivellement

Pour plus d'information sur le bouton Fonction utilisé pour le réglage du niveau de la caméra, consultez *Connecteurs et boutons*.

Couleur	Avertisseur	Position de la caméra
Vert fixe	Signal sonore continu	Niveau
Clignote en vert	Intervalle rapide	Presque à niveau
Orange clignotant	Intervalle intermédiaire	Pas à niveau
Rouge clignotant	Intervalle lent	Loin du niveau

Connecteurs et boutons

Pour les caractéristiques et les conditions d'utilisation, consultez *page 37*.

Connecteur réseau

Connecteur Ethernet RJ45. Prend en charge l'alimentation par Ethernet (PoE).

AVIS

Les réglementations locales ou les conditions environnementales et électriques dans lesquelles le produit est utilisé peuvent nécessiter l'utilisation d'un câble réseau blindé (STP). Tous les câbles réseau qui sont acheminés à l'extérieur ou dans des environnements électriques exigeants doivent être blindés (STP) et destinés à leur usage spécifique. Assurez-vous que le commutateur réseau est convenablement mis à la terre. Pour plus d'informations sur les exigences réglementaires, consultez *Electromagnetic Compatibility (EMC)*, on page 2.

Connecteur d'E/S

Utilisez-le avec des périphériques externes associés aux applications telles que les alarmes de détérioration, la détection de mouvement, le déclenchement d'événements, l'enregistrement à intervalles et les notifications d'alarme. En plus du point de référence 0 V CC et de l'alimentation (sortie CC), le connecteur d'E/S fournit une interface aux éléments suivants :

- **Sortie numérique** – Permet de connecter des dispositifs externes, comme des relais ou des voyants. Les appareils connectés peuvent être activés par l'interface de programmation d'applications VAPIX®, des boutons de sortie sur la page Live View (Vidéo en direct) ou par une règle d'action. La sortie est considérée comme étant active (comme indiqué dans **System Options > Ports & Devices** (Options du système > Ports et dispositifs)) si le dispositif d'alarme est activé.
- **Entrée numérique** – Entrée d'alarme utilisée pour connecter des dispositifs pouvant passer d'un circuit ouvert à un circuit fermé, par exemple : détecteurs infrarouge passifs, contacts de porte/fenêtre, détecteurs de bris de verre, etc. À la réception d'un signal, l'état change et l'entrée s'active (sous **System Options > Ports & Devices** (Options du système > Ports et dispositifs)).

Note

Le connecteur d'E/S est relié au boîtier (ventilateur/régulateur de chaleur) à la livraison. En cas de défaillance du ventilateur ou du régulateur de chaleur, un signal d'entrée est déclenché au niveau de la caméra. Définissez une règle d'action dans la caméra pour configurer l'action que doit déclencher le signal. Pour plus d'informations sur les événements et les règles d'action, consultez le manuel disponible à l'adresse suivante : www.axis.com

Connecteur audio

Le produit Axis dispose des connecteurs audio suivants :

- **Entrée audio (rose)** : entrée de 3,5 mm pour microphone mono ou signal d'entrée mono (le canal de gauche est utilisé pour le signal stéréo).
- **Sortie audio (verte)** : sortie de 3,5 mm (sortie de ligne) qui peut être connectée à un système de sonorisation (PA) ou à un haut-parleur actif avec amplificateur intégré. Un connecteur stéréo doit être utilisé pour la sortie audio.

Connecteur RS485/RS422

Deux blocs terminaux à 2 broches pour l'interface série RS485/RS422 utilisée pour commander les équipements auxiliaires, tels que les dispositifs PTZ.

Emplacement pour carte SD

Une carte microSD (non fournie) peut être utilisée pour l'enregistrement local sur stockage amovible. Pour en savoir plus, consultez *Caractéristiques techniques*, page 37.

AVIS

Pour éviter la corruption des enregistrements, la carte SD doit être démontée avant son retrait. Pour ce faire, rendez-vous dans **Setup > System Options > Storage > SD Card (Configuration > Options du système > Stockage > Carte SD)** et cliquez sur **Unmount (Démonter)**.

Bouton de commande

Le bouton de commande permet de réaliser les opérations suivantes :

- Réinitialisation du produit aux paramètres d'usine par défaut. Cf. *page 44*.
- Connexion au service du Système d'hébergement vidéo AXIS ou au service AXIS Internet Dynamic DNS. Pour plus d'informations sur ces services, reportez-vous au Manuel de l'utilisateur.

Bouton Fonction

Le bouton Fonction permet de réaliser les opérations suivantes :

- **Assistant de nivellement** : cette fonction permet de s'assurer que la caméra est à niveau. Appuyez sur le bouton pendant environ 3 secondes pour démarrer l'assistant de nivellement et appuyez une nouvelle fois pour le désactiver. Le voyant d'état (cf. *page 34*) et le signal sonore (cf. *page 34*) vous aident lors du nivellement de la caméra. Lorsque l'avertisseur émet un signal sonore continu, cela signifie que la caméra est mise à niveau.
- **Assistant de mise au point** : cette fonction est utilisée pour activer l'assistant de mise au point. Pour activer l'assistant de mise au point, appuyez sur le bouton et relâchez-le très rapidement. Pour quitter l'assistant de mise au point, appuyez à nouveau sur le bouton. Pour en savoir plus, consultez *page 42*.

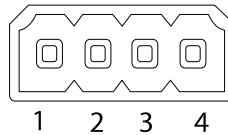
Caractéristiques techniques

Produit	Température	Humidité
AXIS Q1615-E	De -30 °C à 50 °C (de -22 °F à 122 °F) avec PoE ; jusqu'à -40 °C (-40 °F avec PoE haute puissance	Humidité relative de 10 à 100 % (condensation)

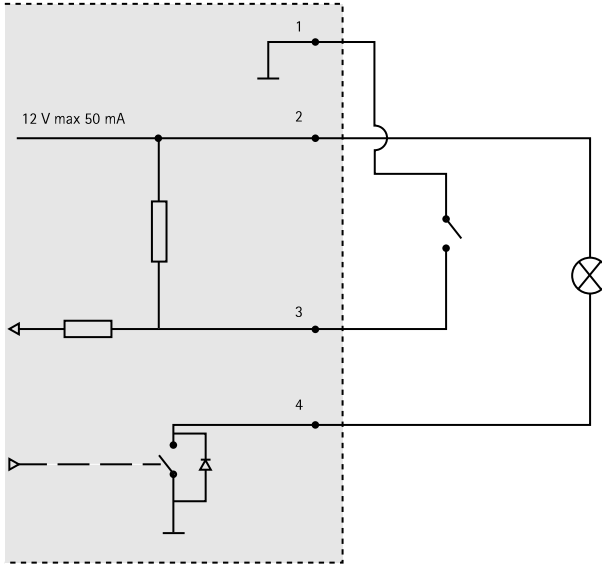
Connecteur d'E/S

Bloc terminal à 4 broches pour :

- Alimentation auxiliaire (sortie CC)
- Entrée numérique
- Sortie numérique
- 0 V CC (-)



Fonction	Broche	Notes	Caractéristiques
0 V CC (-)	1		
Sortie CC	2	Peut servir à alimenter le matériel auxiliaire. Remarque : cette broche ne peut être utilisée que comme sortie d'alimentation.	12 V CC Charge maximale = 50 mA
Configurable (entrée ou sortie)	3-4	Entrée numérique - Connectez-la à la broche 1 pour l'activer ou laissez-la flotter (déconnectée) pour la désactiver.	0 à 30 V CC
		Sortie numérique - Connectée à la broche 1 lorsqu'elle est activée, flotte (déconnectée) lorsqu'elle est désactivée. Si vous l'utilisez avec une charge inductive, par exemple un relais, une diode doit être connectée en parallèle avec la charge, en guise de protection contre les tensions transitoires.	0 à 30 V CC max., drain ouvert, 100 mA



- 3. Entrée/sortie configurée comme entrée
- 4. Entrée/sortie configurée comme sortie

Connecteur audio

Connecteurs audio 3,5 mm (stéréo)

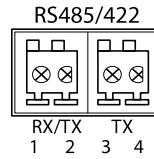


	Entrée audio	Sortie audio
1 Embout	Entrée micro/ligne	Sortie ligne (mono)
2 Anneau		
3 Manche	Mise à la terre	Mise à la terre

Connecteur RS485/422

Blocs terminaux à 2 broches pour interface série RS485/RS422. Le port série peut être configuré pour la prise en charge de :

- RS485 semi-duplex sur deux fils
- RS485 duplex intégral sur quatre fils
- RS422 simplex sur deux fils
- RS422 duplex intégral sur quatre fils pour communication point à point



Fonction	Broche	Notes
RS485B alt RS485/422 RX(B)	1	Paire RX pour tous les modes (RX/TX combiné pour RS485 à 2 fils)
RS485A alt RS485/422 RX(A)	2	
RS485/RS422 TX(B)	3	Paire TX pour RS422 et RS485 à 4 fils
RS485/RS422 TX(A)	4	

Important

La longueur maximale de câble recommandée est de 30 mètres (98,4 pieds).

Emplacement pour carte SD

Prise en charge des cartes microSD jusqu'à 64 Go. Pour des performances d'enregistrement optimales, utilisez une carte microSDHC UHS-I ou microSDXC UHS-I. À des températures inférieures à - 25° C, utilisez une carte SD de qualité industrielle.

Installation du matériel

Suivez la procédure ci-dessus pour installer le support mural :

Note

- La caméra pèse 3 525 g (7,7 lb). Assurez-vous que le matériau soit suffisamment solide pour supporter ce poids.
- L'utilisation d'un presse-étoupe autre que celui fourni risque d'entraîner une infiltration d'eau et d'endommager le produit.
- Utilisez toujours un câble réseau à paires torsadées blindé prévu pour une utilisation à l'extérieur afin de relier le produit Axis et le point terminal. Assurez-vous également que le point terminal est correctement mis à la terre. Les installations des caméras Axis à l'aide d'un câble réseau à paires torsadées blindé et du point terminal correctement mis à terre ont été soumises à des tests rigoureux, conformément aux niveaux de la norme relative à l'immunité de l'industrie, notamment la protection contre les surtensions. Toute autre méthode d'installation annule la garantie et expose le produit à des risques.
- Un câble optionnel d'un diamètre de 4,0 mm - 5,5 mm devra être acheminé au travers d'un presse-étoupe séparé. Consultez *Aperçu du matériel*, page 30.

1. Préparez le mur ou le poteau de montage sur lequel le support mural doit être installé à l'aide du gabarit de perçage fourni.
2. Acheminez le câble réseau en le faisant passer au travers du support mural jusqu'à l'adaptateur du support. Laissez environ 30 cm (11,8") de câble pour la connexion de la caméra.
3. Fixez le support mural au mur, au plafond ou sur le poteau à l'aide de vis et de fiches adaptées au matériau (bois, métal, carton-plâtre, pierre, etc.).

Procédez comme suit pour acheminer les câbles réseau et les autres câbles (facultatifs) :

1. Desserrez les vis du couvercle de câble pour pouvoir le détacher du couvercle inférieur.
2. Retirez le capuchon, le bouchon et le joint du presse-étoupe à utiliser.
3. Acheminez le câble réseau dans le capuchon.
4. Faites glisser le câble réseau par la fente du joint.
5. Acheminez le câble réseau à travers le presse-étoupe.
6. Enfoncez le joint dans le presse-étoupe et vissez le capuchon fermement.

Procédez comme suit pour fixer la caméra au support mural

1. Placez la caméra avec le couvercle inférieur sur le support et serrez les vis du support.
2. Remplacez le couvercle de câble, puis serrez les vis.
3. Branchez les câbles. Cf. *Branchement des câbles*, page 41.
4. Desserrez la vis de réglage du support afin de régler la mise au point de la caméra. Effectuez la mise au point conformément aux instructions de la section *Réglage de la mise au point*, page 41.
5. Consultez également *Accès au produit*, page 41 pour savoir comment accéder au flux de données vidéo.
6. Fixez le câble de sécurité du couvercle supérieur à la patte du couvercle inférieur. Reportez-vous à l'illustration de la section *Aperçu du matériel*, page 30.

7. Insérez éventuellement une carte SD (non fournie) dans le logement de carte SDHC (Secure Digital High Capacity). Une carte SD standard ou haute capacité est requise pour stocker des images en local sur la caméra.

Branchement des câbles

1. Si vous le souhaitez, connectez des périphériques d'entrée/de sortie externes. Cf. , page 37.
2. Branchez le câble réseau au connecteur réseau dans le boîtier.

AVIS

Les réglementations locales ou les conditions environnementales et électriques dans lesquelles le produit est utilisé peuvent nécessiter l'utilisation d'un câble réseau blindé (STP). Tous les câbles réseau qui sont acheminés à l'extérieur ou dans des environnements électriques exigeants doivent être blindés (STP) et destinés à leur usage spécifique.

Accès au produit

Utilisez les outils fournis sur le CD d'installation et de gestion pour attribuer une adresse IP, configurer le mot de passe et accéder au flux de données vidéo. Ces informations sont également disponibles sur les pages d'assistance technique du site www.axis.com/techsup

Réglage de la mise au point

Pour régler le zoom et la mise au point, procédez comme suit :

Note

- Effectuez la mise au point aussi précisément que possible à l'aide de la bague de mise au point ou de l'assistant avant de démarrer l'ajustement automatique. L'utilisation de la bague de mise au point donne généralement le meilleur résultat.
 - Le diaphragme doit toujours être ouvert au maximum lors de la mise au point. Cela donne la plus petite profondeur de champ, ce qui offre les meilleures conditions pour une mise au point correcte.
1. Ouvrez la page d'accueil du produit et sélectionnez **Setup > Basic Setup > Focus (Configuration > Configuration de base > Mise au point)**.
 2. Sous l'onglet **Basic (Base)**, cliquez sur **Open iris (Ouvrir l'iris)**. Si le bouton est inactif, l'iris est déjà ouvert.
 3. Si la mise au point a déjà été effectuée, cliquez sur **Reset (Réinitialiser)** pour réinitialiser la mise au point arrière.
 4. Desserrez la commandes de zoom et la vis de verrouillage de la bague de mise au point de l'objectif (voir *Aperçu du matériel, page 30*) en les tournant dans le sens inverse des aiguilles d'une montre. Déplacez la commande de zoom et la vis de verrouillage

pour régler le zoom et la mise au point et vérifiez la qualité de l'image dans la fenêtre correspondante. Si la caméra est montée de telle sorte qu'il est impossible de regarder l'image et de déplacer la commande de zoom et la bague de mise au point en même temps, utilisez plutôt l'assistant de mise au point. Cf. *Assistant de mise au point*, page 42.

5. Resserrez la commande du zoom et la vis de verrouillage de la bague de mise au point.
6. À la page Focus (Mise au point), cliquez sur **Fine-tune focus automatically (Ajuster la mise au point automatiquement)** et attendez que l'ajustement automatique soit terminé.
7. Cliquez sur **Enable iris (Activer l'iris)**. Si le bouton est inactif, l'iris est déjà activé.
8. Si nécessaire, effectuez d'autres réglages sous l'onglet **Advanced (Avancé)**. Consultez l'aide en ligne pour plus d'informations.

Assistant de mise au point

Note

- La vue en face de la caméra ne doit pas être modifiée lors du réglage de la mise au point (étapes 5 et 6). Si la caméra est déplacée ou si un doigt ou un autre objet est placé devant l'objectif, vous devrez recommencer les étapes 3 à 7.
- Si les mouvements devant la caméra ne peuvent pas être évités, l'assistant de mise au point ne doit pas être utilisé.
- Si la caméra est montée de sorte qu'il soit impossible d'accéder au bouton Fonction, vous pouvez tout de même utiliser l'assistant. Procédez comme indiqué ci-dessus, mais installez la caméra après l'étape 4 (en appuyant sur le bouton Fonction) et passez à l'étape 7.

Pour effectuer la mise au point de la caméra réseau en utilisant l'assistant, suivez les étapes 1 à 3 de la section de page 41 avant de procéder aux étapes ci-dessous. Consultez *Aperçu du matériel*, page 30.

1. Installez la caméra ou placez-la de façon à ce qu'elle ne puisse pas bouger.
2. Desserrez la commande de zoom en la tournant dans le sens inverse des aiguilles d'une montre. Déplacez la commande pour régler le niveau du zoom. Resserrez la commande de zoom.
3. Réglez la caméra sur sa position de mise au point à distance extrême en desserrant la vis de verrouillage de la bague de mise au point et en tournant la bague de mise au point au maximum dans le sens inverse des aiguilles d'une montre.
4. Appuyez sur le bouton Fonction et relâchez-le très rapidement. Lorsque le voyant d'état clignote en vert, l'assistant de mise au point est activé.
Si le voyant d'état clignote en rouge ou en orange avant que vous n'ayez pu régler l'objectif, passez à l'étape 7 pour quitter l'assistant et recommencez les étapes 3 à 7. Voir les remarques ci-dessus. Cf. *Comportement du voyant d'état pour l'assistant de mise au point*, page 34.
5. Tournez délicatement la bague de mise au point dans le sens inverse des aiguilles d'une montre jusqu'à ce qu'elle s'arrête.

6. Tournez lentement la bague de mise au point dans le sens inverse des aiguilles d'une montre jusqu'à ce que l'indicateur d'état clignote en vert ou en orange (et non en rouge).
7. Pour quitter l'assistant de mise au point, appuyez à nouveau sur le bouton Fonction. L'assistant de mise au point se désactive automatiquement après 15 minutes.
8. Resserrez la vis de verrouillage de la bague de mise au point.
9. Ouvrez la page **Live View (Vue en direct)** du navigateur web et contrôlez la qualité de l'image.
10. À la page **Focus (Mise au point)**, cliquez sur **Fine-tune focus automatically (Ajuster la mise au point automatiquement)** et attendez que l'ajustement automatique soit terminé.
11. Cliquez sur **Enable iris (Activer l'iris)**. Si le bouton est inactif, l'iris est déjà activé.
12. Si nécessaire, effectuez d'autres réglages sous l'onglet **Advanced (Avancé)**. Consultez l'aide en ligne pour plus d'informations.

Remplacement de l'objectif

Il est possible d'utiliser des objectifs optionnels pour le produit Axis.

Pour remplacer l'objectif :

1. Débranchez le câble de l'iris.
2. Dévissez l'objectif standard.
3. Fixez et vissez le nouvel objectif.

Pour modifier la configuration du diaphragme :

1. Accédez à **Setup > Video and Audio > Camera Settings (Configuration > Vidéo et image > Réglages caméra)**. **Iris configuration (Configuration du diaphragme)** affiche le type de diaphragme actuellement configuré.
2. Cliquez sur **Edit (Modifier)**.
3. Sélectionnez l'objectif à diaphragme installé dans la liste déroulante et cliquez sur **OK**.

Pour modifier la configuration du diaphragme des objectifs à diaphragme P qui n'apparaissent pas dans la liste déroulante :

1. Téléchargez le fichier de configuration du diaphragme sur www.axis.com
2. Accédez à **Setup > Video and Audio > Camera Settings (Configuration > Vidéo et image > Réglages caméra)**. **Iris configuration (Configuration du diaphragme)** affiche le type de diaphragme actuellement configuré.
3. Dans **Iris configuration (Configuration du diaphragme)** : Cliquez sur **Edit (Modifier)**.
4. Accédez à l'onglet **Upload (Charger)**.
5. Cliquez sur **Browse (Parcourir)** et sélectionnez le fichier de configuration.
6. Cliquez sur **Upload (Charger)**. L'objectif à diaphragme installé doit maintenant être inclus dans la liste déroulante **Iris Selection (Sélection du diaphragme)**.
7. Sélectionnez l'objectif à diaphragme installé dans la liste déroulante et cliquez sur **OK**.

Note

- Si vous sélectionnez un fichier de configuration de diaphragme DC pour un objectif à diaphragme P, un message d'erreur apparaît en dessous du type de configuration du diaphragme, dans la page **Camera Settings (Réglages caméra)**. Pour les objectifs à diaphragme DC personnalisés, sélectionnez l'option Generic DC Iris (Diaphragme DC générique).
- Il n'est pas nécessaire de redémarrer le produit après le changement de l'objectif. Cependant, le produit doit être redémarré si vous passez d'un diaphragme P à un diaphragme DC ou à un objectif à diaphragme fixe/manuel ou vice-versa. Afin d'effectuer la mise au point et de positionner l'objectif, le produit doit être connecté au réseau.

Réinitialisation aux paramètres d'usine par défaut

Important

La réinitialisation aux paramètres par défaut doit être utilisée avec prudence. Cette opération reconfigure tous les paramètres, y compris l'adresse IP, aux valeurs d'usine par défaut.

Note

Les logiciels d'installation et de gestion sont disponibles sur le CD fourni avec le produit et sur les pages d'assistance du site www.axis.com/techsup

Pour réinitialiser l'appareil aux paramètres d'usine par défaut :

1. Déconnectez l'alimentation de l'appareil.
2. Maintenez le bouton de commande enfoncé et remettez l'appareil sous tension. Consultez *Aperçu du matériel*, page 30.
3. Maintenez le bouton de commande enfoncé pendant 15–30 secondes, jusqu'à ce que le voyant d'état passe à l'orange et clignote.
4. Relâchez le bouton de commande. Le processus est terminé lorsque le voyant d'état passe au vert. Les paramètres d'usine par défaut de l'appareil ont été rétablis. En l'absence d'un serveur DHCP sur le réseau, l'adresse IP par défaut est 192.168.0.90.
5. Utilisez les outils d'installation et de gestion pour attribuer une adresse IP, configurez le mot de passe et accédez au flux de données vidéo.
6. Nouvelle mise au point du produit.

Il est également possible de rétablir les paramètres d'usine à partir de l'interface Web. Accédez à **Setup > System Options > Maintenance** (Configuration > Options du système > Maintenance) (Configuration > Configuration du contrôleur supplémentaire > Configuration > Options du système > Maintenance).

Pour obtenir plus de renseignements

Le Manuel de l'utilisateur est disponible à l'adresse suivante : www.axis.com

Consultez le site www.axis.com/techsup pour vérifier si des mises à jour des logiciels sont disponibles pour votre appareil réseau. Pour connaître la version du micrologiciel actuellement installée, reportez-vous à la page **Setup > About** (Configuration > À propos de).

Visitez le centre d'apprentissage en ligne Axis sur le site www.axis.com/academy pour en savoir plus sur les formations, les webinaires, les tutoriels et les guides.

Informations sur la garantie

Pour obtenir plus d'amples informations sur la garantie du produit AXIS et des renseignements connexes, allez sur le site www.axis.com/warranty/

Sicherheitsinformation

Lesen Sie das Installationshandbuch sorgfältig durch bevor sie das Produkt installieren. Bewahren Sie das Installationshandbuch für zukünftige Zwecke auf.

Gefährdungsstufen

▲GEFAHR

Weist auf eine gefährliche Situation hin, die, falls nicht verhindert, zu Tod oder schweren Verletzungen führt.

▲WARNUNG

Weist auf eine gefährliche Situation hin, welche, falls nicht verhindert, zu Tod oder schweren Verletzungen führen kann.

▲VORSICHT

Weist auf eine gefährliche Situation hin, welche, falls nicht verhindert, zu geringfügiger oder mäßiger Verletzung führen kann.

HINWEIS

Weist auf eine gefährliche Situation hin, welche, falls nicht verhindert, zu Sachschäden führen kann.

Weitere Nachrichtenstufen

Wichtig

Weist auf wichtige Informationen hin, die den richtigen Betrieb des Produkts gewährleisten.

Beachten

Weist auf nützliche Informationen hin, die die optimale Verwendung des Produkts unterstützen.

Sicherheitsanweisungen

HINWEIS

- Die Anwendung des Axis Produkts muss unter Beachtung der örtlich geltenden rechtlichen Bestimmungen erfolgen.
- Bei der Anwendung von Axis Produkten im Außenbereich oder ähnlichen Umgebungen, müssen diese in zugelassenen Außengehäusen installiert werden.
- Lagern Sie das Axis Produkt in einer trockenen und belüfteten Umgebung.
- Achten Sie darauf, dass das Axis Produkt weder Stößen noch starkem Druck ausgesetzt ist.
- Installieren Sie das Produkt nicht an instabilen Halterungen, Oberflächen oder Wänden.
- Verwenden Sie bei der Installation des Axis Produkts ausschließlich passende Werkzeuge. Ein zu großer Kraftaufwand kann das Produkt beschädigen.
- Verwenden Sie keine chemischen, ätzenden oder aerosolhaltigen Reinigungsmittel. Verwenden Sie zum Reinigen ein sauberes, mit lauwarmem Wasser angefeuchtetes Tuch.
- Verwenden Sie nur Zubehör, das den technischen Daten des Produkts entspricht. Dieses ist von Axis oder Drittanbietern erhältlich.
- Verwenden Sie ausschließlich Ersatzteile die von Axis bereitgestellt oder empfohlen werden.
- Versuchen Sie nicht, das Produkt selbstständig zu reparieren. Wenden Sie sich bezüglich Reparatur und Wartung an den Axis Support oder Ihren Axis Händler.

Transport

HINWEIS

- Bei Bedarf transportieren Sie das Axis Produkt in der Originalverpackung oder einer entsprechenden Verpackung, so dass Schäden vermieden werden.

Batterie

Das Axis-Produkt ist mit einer 3,0 V-BR/CR2032-Lithium-Batterie ausgestattet, mit der die interne Echtzeituhr (RTC) versorgt wird. Unter normalen Bedingungen hat die Batterie eine Lebensdauer von mindestens fünf Jahren.

Bei entladener Batterie ist der Betrieb der Echtzeituhr nicht mehr gewährleistet, sodass die Uhr bei jedem Systemstart zurückgesetzt wird. Sie erhalten eine Protokollnachricht im Serverbericht des Produkts, wenn ein Batteriewechsel erforderlich ist. Weitere Informationen über den Serverbericht finden Sie auf den Setup-Seiten des Produkts, oder wenden Sie sich an den Axis-Support.

Die Batterie sollte nur bei Bedarf ersetzt werden. Wenden Sie sich in diesem Fall an den Axis Support unter www.axis.com/techsup.

⚠WARNUNG

- Explosionsgefahr bei fehlerhaftem Batteriewechsel.
- Die Batterie darf nur durch eine identische Batterie oder eine von Axis empfohlene Batterie ersetzt werden.
- Verbrauchte Batterien sind gemäß den örtlichen Vorschriften oder den Anweisungen des Herstellers zu entsorgen.

Installationsanleitung

In dieser Anleitung wird die Installation der AXIS Q1615-E-Netzwerk-Kamera in Ihrem Netzwerk beschrieben. Weitere Informationen zur Nutzung dieses Produktes finden Sie im Benutzerhandbuch unter www.axis.com.

Installationsschritte

1. Stellen Sie sicher, dass die Packungsinhalte, Werkzeuge und andere notwendige Materialien für die Installation in Ordnung sind. Siehe *Seite 51*.
2. Machen Sie sich mit der Hardware-Übersicht vertraut. Siehe *Seite 52*.
3. Machen Sie sich mit den technischen Daten vertraut. Siehe *Seite 59*.
4. Installieren Sie die Hardware. Siehe *Seite 61*.
5. Zugriff auf das Produkt. Siehe *Seite 63*.
6. Stellen Sie den Fokus ein. Siehe *Seite 63*.

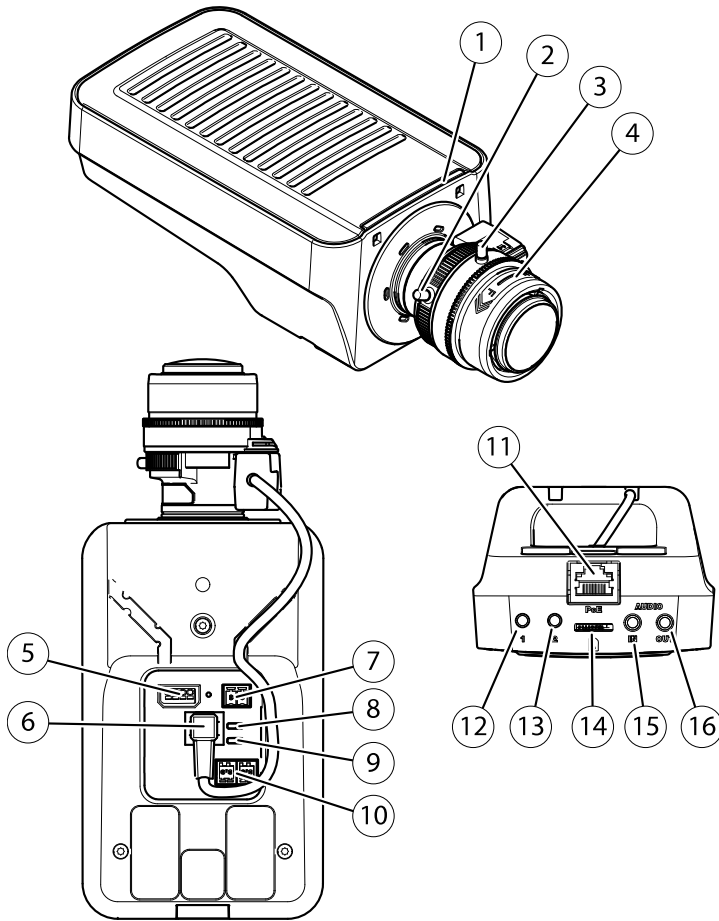
Lieferumfang

- Netzwerk-Kamera AXIS Q1615-E
- 4-poliger E/A-Anschlussblock für den Anschluss externer Geräte
- 2-polige RS485/422-Klemmenleiste (x2)
- Wandhalterung
- Torx T20-Schraubendreher
- CD-ROM mit Installations- und Verwaltungssoftware
- Dokumente
 - Installationsanleitung (dieses Dokument)
 - Zusätzliche Etiketten mit der Seriennummer (2x)
 - AVHS-Authentifizierungsschlüssel

Optionales Zubehör

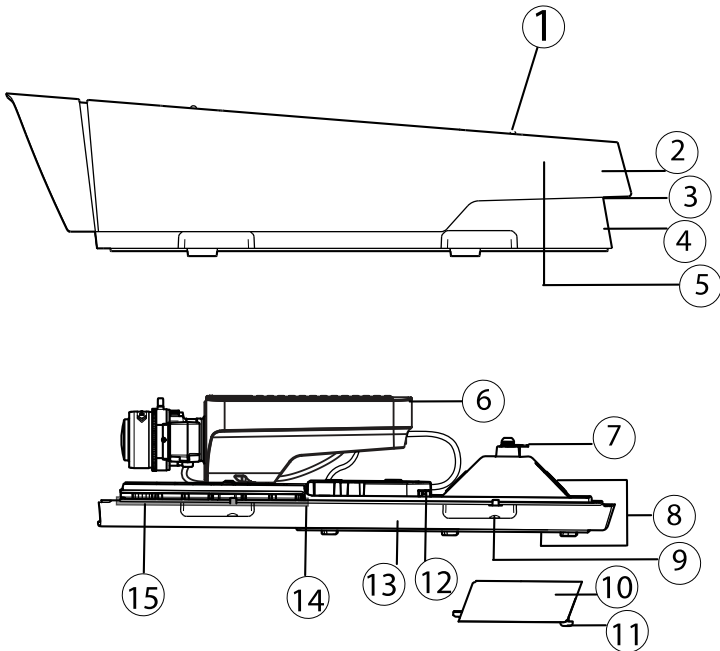
Unter www.axis.com finden Sie Informationen zu dem verfügbaren Zubehör wie Zubehör für die Stromversorgung und Gehäuse für den Einsatz in Außenbereichen.

Übersicht über die Hardware



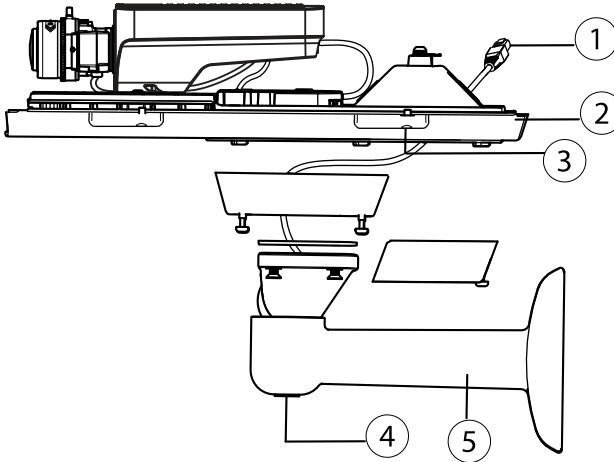
1. LED-Statusanzeige
2. Zoomregler
3. Feststellschraube für den Fokusring
4. Fokusring
5. E/A-Anschluss
6. Blendenanschluss
7. Netzanschluss
8. LED-Betriebsanzeige
9. LED-Netzwerkanzeige

10. RS485-/RS422-Anschluss
11. Netzwerkanschluss (PoE)
12. Steuertaste (1)
13. Funktionstaste (2)
14. microSD-Kartensteckplatz
15. Audioeingang
16. Audioausgang



1. Einstellschrauben für Sonnenschutz (2)
2. Sonnenschutz
3. Produktnummer (P/N) und Seriennummer (S/N). Die Seriennummer wird für die Installation benötigt. Notieren Sie sich die Seriennummer, damit Sie diese später griffbereit haben.
4. Obere Abdeckung
5. Entfeuchtungsmembran. Nicht entfernen!
6. Netzwerk-Kamera
7. Sicherheitsdrahtlasche
8. Kabeldurchführungen mit Kabelverschraubung
9. Schrauben für untere Abdeckung (4)
10. Kabelabdeckung
11. Schrauben für Kabelabdeckung (2)

12. Netzwerkanschluss
13. Untere Abdeckung
14. Heizelement. **Vorsicht!** Kann heiß sein.
15. Heizelement. **Vorsicht!** Kann heiß sein.



1. Networkkabel (durch Wandhalterung führen)
2. Untere Abdeckung
3. Schrauben für untere Abdeckung (4)
4. Einstellschraube für Halterung
5. Wandhalterung

LED-Anzeigen

LED	Farbe	Bedeutung
Netzwerk	Grün	Leuchtet bei Verbindung mit einem 100 MBit/s-Netzwerk. Blinkt bei Netzwerkaktivität.
	Gelb	Leuchtet bei Verbindung mit einem 10 MBit/s-Netzwerk. Blinkt bei Netzwerkaktivität.
	Leuchtet nicht	Keine Netzwerkverbindung vorhanden.
Status	Grün	Leuchtet bei Normalbetrieb grün.
	Gelb	Leuchtet beim Start und beim Wiederherstellen der Einstellungen.
	Rot	Blinkt langsam bei einem Aktualisierungsfehler.

Strom- ver- sorgung	Grün	Normaler Betrieb.
	Gelb	Blinkt grün/gelb bei der Firmware-Aktualisierung.

Beachten

- Die Status-LED kann so eingestellt werden, dass sie während des Normalbetriebs nicht leuchtet. Diese Konfiguration können Sie unter **Setup > System Options > Ports & Devices > LED** (Einrichtung > Systemoptionen > Anschlüsse & Geräte > LED) einstellen. Weitere Informationen finden Sie in der Online-Hilfe.
- Die Status-LED kann so eingestellt werden, dass sie blinkt, wenn ein Ereignis aktiv ist.
- Die Status-LED kann so eingestellt werden, dass sie blinkt, wenn die Einheit erkannt wird. Rufen Sie **Setup > System Options > Maintenance** (Einrichtung > Systemoptionen > Wartung) auf.
- Die Netz-LED kann so eingestellt werden, dass sie während des Normalbetriebs nicht leuchtet. Diese Konfiguration können Sie unter **Setup > System Options > Ports & Devices > LED** (Einrichtung > Systemoptionen > Anschlüsse & Geräte > LED) einstellen. Weitere Informationen finden Sie in der Online-Hilfe.
- Die Netzwerk-LED kann deaktiviert werden, sodass Sie bei Datenverkehr über das Netzwerk nicht blinkt. Diese Konfiguration können Sie unter **Setup > System Options > Ports & Devices > LED** (Einrichtung > Systemoptionen > Anschlüsse & Geräte > LED) einstellen. Weitere Informationen finden Sie in der Online-Hilfe.

LED	Farbe	Bedeutung
Gehäuse (Heiz- element und Lüfter)	Grün	Normaler Betrieb.
	Blinkt grün	Einmaliges Blinken: Probleme mit dem Heizelement Doppeltes Blinken: Probleme mit dem Lüfter Dreifaches Blinken: Allgemeiner Fehler Alarmereignisse werden durch den Eingangsport der Kamera ausgelöst. Wenden Sie sich an Ihren Axis Händler, wenn Sie weitere Informationen zu Ersatzteilen und zur Problemlösung benötigen.

Beachten

Die in obiger Tabelle behandelte LED-Statusanzeige befindet sich im Gehäuse.

Verhalten der LED-Statusanzeige für den Fokus-Assistenten

Farbe	Bedeutung
Grün	Der Fokus-Assistent ist aktiviert. Das Objektiv ist optimal eingestellt.
Gelb	Die Kamera wurde bewegt oder vor dem Objektiv wurde ein Gegenstand platziert. Beenden Sie den Fokus-Assistenten und starten Sie ihn neu. Das Objektiv ist nicht optimal eingestellt.
Rot	Die Kamera wurde bewegt oder vor dem Objektiv wurde ein Gegenstand platziert. Beenden Sie den Fokus-Assistenten und starten Sie ihn neu. Das Objektiv ist unzureichend eingestellt.

Summton für Fokus-Assistenten

Summer	Objektiv
Kurzes Intervall	Optimal eingestellt
Mittellanges Intervall	Nicht ganz optimal eingestellt
Langes Intervall	Unzureichend eingestellt

Verhalten der LED-Statusanzeige und Summton für den Ausrichtungsassistenten

Für Informationen zur Verwendung der Funktionstaste bei der Ausrichtung der Kamera siehe *Anschlüsse und Tasten*.

Farbe	Summer	Kameraposition
Durchgehend grün	Durchgehender Ton	Ausgerichtet
Grün blinkend	Kurzes Intervall	Nahezu ausgerichtet
Orange blinkend	Mittellanges Intervall	Nicht ausgerichtet
Rot blinkend	Langes Intervall	Unzureichend ausgerichtet

Anschlüsse und Tasten

Für die technischen Daten und Betriebsbedingungen siehe *Seite 59*.

Netzwerkanschluss

RJ45-Ethernet-Anschluss. Unterstützt Power over Ethernet (PoE).

HINWEIS

Aufgrund örtlicher Vorschriften oder umweltbedingter und elektrischer Bedingungen, unter denen das Produkt verwendet wird, kann ein abgeschirmtes Netzkabel (STP) empfehlenswert oder notwendig sein. Alle Netzkabel, die im Außenbereich oder in schwierigen elektrischen Umgebungen verlegt werden, sollten abgeschirmt (STP) und nur für die zweckgebundene Anwendung eingesetzt werden. Stellen Sie sicher, dass der Netzschalter vorschriftsmäßig geerdet ist. Informationen zu gesetzlichen Bestimmungen finden Sie unter *Electromagnetic Compatibility (EMC)*, on page 2.

E/A-Anschluss

Zur Verwendung mit externen Geräten in Verbindung mit Manipulationsalarmen, Bewegungserkennung, Ereignisauslösung, Zeitrafferaufnahmen, Alarmbenachrichtigungen usw. Abgesehen vom 0 V DC-Bezugspunkt und Strom (Gleichstromausgang) verfügt die E/A-Klemmenleiste über eine Schnittstelle zu:

- **Digitalausgang** – zum Anschluss externer Geräte wie Relais und LEDs. Angeschlossene Geräte können über die VAPIX® Application Programming Interface (Programmierschnittstelle) über die Schaltflächen für den Ausgang auf der Seite „Live View“ oder durch eine Aktionsregel aktiviert werden. Der Ausgang wird als aktiv (siehe **System Options > Ports & Devices** (Systemoptionen > Anschlüsse & Geräte)) angezeigt, wenn das Alarmmeldegerät aktiviert ist.
- **Digitaleingang** – Alarmeingang für den Anschluss von Geräten, die zwischen geöffnetem und geschlossenem Schaltkreis wechseln können, z. B.: PIR-Sensoren, Tür-/Fensterkontakte, Glasbruchmelder usw. Bei Empfang eines Signals ändert sich der Status und der Eingang wird aktiviert (siehe **System Options > Ports & Devices** (Systemoptionen > Anschlüsse & Geräte)).

Beachten

Der E/A-Anschluss ist bei Lieferung an das Gehäuse (Lüfter/Heizelement) angeschlossen. Im Fall eines Fehlers des Lüfters oder Heizelements wird ein Eingangssignal in der Kamera ausgelöst. Richten Sie eine Aktionsregel in der Kamera ein, um zu konfigurieren, welche Aktion durch das Signal ausgelöst werden soll. Weitere Informationen zu Ereignissen und Aktionsregeln finden Sie im Benutzerhandbuch unter www.axis.com

Audioanschlüsse

Das Axis-Produkt ist mit den folgenden Audioanschlüssen ausgestattet:

- **Audioeingang (rosa)** – 3,5-mm-Anschluss für ein Monomikrofon oder ein Monosignal (der linke Kanal wird von einem Stereosignal benutzt).
- **Audioausgang (grün)** – 3,5-mm-Audioausgang (Leitungspegel) zum Anschließen einer Rundrufanlage (PA) oder eines Aktivlautsprechers mit integriertem Verstärker. Für den Audioausgang muss ein Stereostecker verwendet werden.

RS485-/RS422-Anschluss

Zwei 2-polige Anschlussblöcke für serielle Schnittstellen vom Typ RS485/RS422 zur Steuerung von Zusatzgeräten, z. B. PTZ-Geräten.

SD-Kartensteckplatz

Zur lokalen Aufzeichnung mit Wechselmedien kann eine microSD-Speicherkarte (nicht im Lieferumfang enthalten) verwendet werden. Für weitere Informationen siehe *Technische Daten*, auf Seite 59.

HINWEIS

Um einer Beschädigung der Aufnahmen vorzubeugen, sollte die SD-Karte vor dem mechanischen Auswerfen getrennt (deaktiviert) werden. Rufen Sie zum Trennen **Setup > System Options > Storage > SD Card (Einrichtung > Systemoptionen > Speicher > SD-Karte)** auf und klicken Sie auf **Unmount (Trennen)**.

Steuertaste

Die Steuertaste hat folgende Funktionen:

- Zurücksetzen des Produkts auf Werkseinstellungen. Siehe Seite 66.
- Verbinden mit einem AXIS Video Hosting System-Service oder einem AXIS Internet Dynamic DNS-Service. Weitere Informationen zu diesen Diensten finden Sie in der Bedienungsanleitung.

Funktionstaste

Die Funktionstaste hat mehrere Aufgaben:

- **Ausrichtungsassistent:** Diese Funktion unterstützt Sie bei der Ausrichtung der Kamera. Drücken Sie die Taste für ca. 2 Sekunden, um den Ausrichtungsassistenten zu starten. Drücken Sie die Taste erneut, um den Ausrichtungsassistenten zu deaktivieren. Die LED-Statusanzeige (siehe Seite 56) und der Summton (siehe Seite 56) unterstützen Sie bei der Ausrichtung der Kamera. Die Kamera ist korrekt ausgerichtet, wenn der Summton durchgehend ertönt.
- **Fokus-Assistent:** Mit dieser Funktion wird der Fokus-Assistent aktiviert. Drücken Sie die Taste kurz, um den Fokus-Assistenten zu aktivieren. Zum Beenden des Fokus-Assistenten drücken Sie die Taste erneut. Für weitere Informationen siehe Seite 64

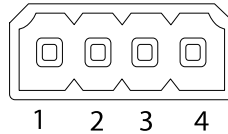
Technische Daten

Produkt	Temperatur	Luftfeuchtigkeit
AXIS Q1615-E	-30 °C bis 50 °C (-22 °F bis 122 °F) mit PoE, bis -40 °C (- 40 °F) mit High PoE	10 – 100 % rF (kondensierend)

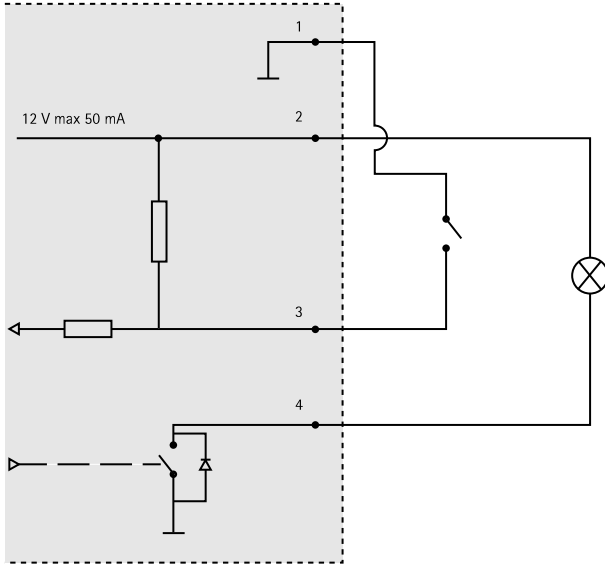
E/A-Anschluss

4-poliger Anschlussblock für:

- Zusatzstromversorgung (Gleichstromausgang)
- Digitaleingang
- Digitalausgang
- 0 V DC (-)



Funktion	Kontakt	Hinweise	Technische Daten
0 V DC (-)	1		
Gleichstromausgang	2	Kann für die Stromversorgung von Zusatzgeräten verwendet werden. Hinweis: Dieser Kontakt kann nur für den Stromausgang verwendet werden.	12 V DC Max. Stromstärke = 50 mA
Konfigurierbar (Ein- oder Ausgang)	3-4	Digitaleingang – zum Aktivieren mit Pin 1 verbinden; zum Deaktivieren nicht anschließen.	0 bis max. 30 V DC
		Digitalausgang – bei Aktivierung mit Pin 1 verbunden; wenn deaktiviert: frei (nicht verbunden). Bei Verwendung mit einer induktiven Last, z. B. einem Relais, muss parallel zur Last zum Schutz vor Spannungsspitzen eine Diode zwischengeschaltet werden.	0 bis max. 30 V DC, Open Drain, 100 mA



- 3. E/A als Eingang konfiguriert
- 4. E/A als Ausgang konfiguriert

Audioanschlüsse

3,5-mm-
Audioanschlüsse
(stereo)

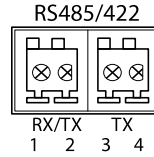


	Audioeingang	Audioausgang
1 Spitze	Mikrofon-/Leitungseingang	Leitungsausgang (mono)
2 Ring		
3 Schaft	Masse	Masse

RS485/422-Anschluss

Zwei 2-polige Anschlussblöcke für serielle Schnittstellen vom Typ RS485/RS422. Der serielle Anschluss kann in den folgenden Anschlussmodi konfiguriert werden:

- zweiadrigter RS485-Halbduplex-Anschluss
- vieradriger RS485-Vollduplex-Anschluss
- zweiadrigter RS422-Simplex-Anschluss
- vieradriger RS422-Vollduplex-Anschluss (Punkt-zu-Punkt-Verbindung)



Funktion	Kontakt	Hinweise
RS485B alt RS485/422 RX(B)	1	RX-Paar für alle Modi (kombinierter RX/TX für RS485 mit 2 Leitern)
RS485A alt RS485/422 RX(A)	2	
RS485/RS422 TX(B)	3	TX-Paar für RS422 und RS485 mit 4 Leitern
RS485/RS422 TX(A)	4	

Wichtig

Die empfohlene maximale Kabellänge beträgt 30 m (98,4 ft).

SD-Kartensteckplatz

Unterstützt microSD-Karten mit bis zu 64 GB Speicherplatz. Verwenden Sie eine microSDHC UHS-I- oder microSDXC UHS-I-Karte, um optimale Aufzeichnungsergebnisse zu erzielen. Bei Temperaturen unterhalb von - 25° C verwenden Sie eine SD-Karte in Industriequalität.

Installieren der Hardware

So wird die Wandhalterung montiert:

Beachten

- Das Gewicht der Kamera beträgt 3.525 g (7,7 lb). Vergewissern Sie sich, dass das Material stabil genug ist, um dieses Gewicht zu tragen.
 - Wenn eine andere Kabeldurchführung als die mitgelieferte verwendet wird, kann Wasser eindringen und das Produkt beschädigen.
 - Verwenden Sie immer ein abgeschirmtes Netzkabel (STP), das für den Einsatz zwischen dem Axis-Produkt und dem Endpunkt im Außenbereich bestimmt und ordnungsgemäß geerdet ist. Installationen von Axis-Produkten mit einem abgeschirmten Netzkabel (STP) und einem ordnungsgemäß geerdeten Endpunkt wurden getestet, um den Störfestigkeitsanforderungen der Industrie wie z. B. an den Überspannungsschutz zu entsprechen. Wenn Sie andere Installationsverfahren verwenden, erlischt die Garantie und der sichere Betrieb des Geräts ist nicht gewährleistet.
 - Ein optionales Kabel mit einem Durchmesser von 4,0 mm bis 5,5 mm sollte durch eine separate Kabelverschraubung geführt werden. Siehe *Übersicht über die Hardware, auf Seite 52*.
1. Bereiten Sie die Befestigung der Wandhalterung an der Wand oder einem Mast vor, indem Sie die Position der Bohrlöcher mithilfe der mitgelieferten Bohrschablone markieren.
 2. Führen Sie das Netzkabel durch die Wandhalterung und den Wandhalterungsadapter. Lassen Sie zum Anschließen der Kamera ca. 30 cm (11,8") Kabel frei.
 3. Montieren Sie die Wandhalterung an einer Wand, einer Decke oder einem Mast. Stellen Sie sicher, dass Sie für das Material (z. B. Holz, Metall, Gipskarton, Stein) geeignete Schrauben und Dübel verwenden.

So werden das Netzkabel und ggf. weitere (optionale) Kabel verlegt:

1. Lösen Sie die Schrauben der Kabelabdeckung und nehmen Sie die Kabelabdeckung von der unteren Abdeckung ab.
2. Entfernen Sie die Kappe, den Stopfen und die Dichtung aus der Kabelverschraubung, die verwendet werden soll.
3. Führen Sie das Netzkabel durch die Kappe.
4. Ziehen Sie das Netzkabel durch den Spalt in der Dichtung.
5. Führen Sie das Netzkabel durch die Kabelverschraubung.
6. Pressen Sie die Dichtung in die Kabelverschraubung und schrauben Sie die Kappe fest.

So wird die Kamera an der Wandhalterung montiert:

1. Platzieren Sie die Kamera mit der unteren Abdeckung an der Wandhalterung und ziehen Sie die Schrauben der Halterung fest.
2. Bringen Sie die Kabelabdeckung wieder an und ziehen Sie die Schrauben fest.
3. Schließen Sie die Kabel an. Siehe *Anschließen der Kabel, auf Seite 63*.
4. Lösen Sie die Einstellschraube der Halterung, um die Kamera zu fokussieren. Führen Sie die Fokussierung der Kamera gemäß den Anweisungen unter *Einstellen der Bildschärfe, auf Seite 63* durch.

5. Siehe außerdem *Zugriff auf das Produkt, auf Seite 63* für den Zugriff auf den Videostream.
6. Befestigen Sie den Sicherheitsdraht an der oberen Abdeckung an der Lasche der unteren Abdeckung. Siehe Abbildung in der *Übersicht über die Hardware, auf Seite 52*.
7. Schieben Sie ggf. eine SD-Speicherkarte (nicht im Lieferumfang enthalten) in den SDHC- (Secure Digital High Capacity-)Speicherkartensteckplatz. Wenn Sie Bilder lokal in der Netzwerk-Kamera speichern möchten, benötigen Sie eine SD- oder SDHC-Speicherkarte.

Anschließen der Kabel

1. Schließen Sie ggf. externe Ein-/Ausgabegeräte an. Siehe , *auf Seite 59*.
2. Verbinden Sie das Netzkabel mit dem Netzwerkanschluss im Gehäuse.

HINWEIS

Aufgrund örtlicher Vorschriften oder den umweltbedingten und elektrischen Bedingungen, unter denen das Produkt verwendet wird, kann ein abgeschirmtes Netzkabel (STP) empfehlenswert oder notwendig sein. Alle Netzkabel, die im Außenbereich oder in schwierigen elektrischen Umgebungen verlegt werden, müssen abgeschirmt sein (STP) und nur für die jeweilige Anwendung eingesetzt werden.

Zugriff auf das Produkt

Verwenden Sie die bereitgestellten Tools der Installations- und Management-Software-CD, um eine IP-Adresse zuzuordnen, ein Passwort einzurichten und auf den Videostream zuzugreifen. Diese Information finden Sie ebenso auf den Support-Seiten unter www.axis.com/techsup/

Einstellen der Bildschärfe

Befolgen Sie die folgenden Anweisungen, um Zoom und Bildschärfe einzustellen:

Beachten

- Stellen Sie die Bildschärfe so präzise wie möglich über den Fokusring oder den Fokus-Assistenten ein, bevor Sie die automatische Feinabstimmung starten. Der Fokusring liefert in der Regel die besten Ergebnisse.
 - Die Blende muss beim Fokussieren Kamera vollständig geöffnet sein. Dadurch werden die geringste Schärfentiefe und damit die optimalen Voraussetzungen für die richtige Fokussierung erreicht.
1. Rufen Sie die Startseite des Produkts auf und gehen Sie zu **Setup Basic Setup Focus (Einrichtung > Grundeinstellungen > Fokus)**.
 2. Klicken Sie unter der Registerkarte **Basic (Standard)** auf **Open iris (Blende öffnen)**. Ist diese Schaltfläche deaktiviert, ist die Blende bereits vollständig geöffnet.
 3. Wenn die Bildschärfe bereits eingestellt wurde, klicken Sie auf **Reset (Zurücksetzen)**, um das Auflagemaß zurückzusetzen.

4. Lösen Sie den Zoomregler und die Feststellschraube für den Fokusring am Objektiv (siehe *Übersicht über die Hardware, auf Seite 52*), indem Sie sie gegen den Uhrzeigersinn drehen. Bewegen Sie den Zoomregler und den Fokusring und stellen Sie Zoomstärke und Bildschärfe ein. Prüfen Sie die Bildqualität im Bildfenster. Ist die Kamera so montiert, dass Sie die Bildqualität nicht prüfen können, während Sie gleichzeitig den Zoomregler und den Fokusring bewegen, können Sie stattdessen den Fokus-Assistenten verwenden. Siehe *Fokus-Assistent, auf Seite 64*.
5. Ziehen Sie den Zoomregler und die Feststellschraube für den Fokusring wieder fest.
6. Klicken Sie auf der Fokus-Seite auf **Fine-tune focus automatically (Automatische Feinabstimmung der Bildschärfe)** und warten Sie, bis die automatische Feinabstimmung abgeschlossen ist.
7. Klicken Sie auf **Enable iris (Blende aktivieren)**. Ist diese Schaltfläche deaktiviert, ist die Blende bereits aktiviert.
8. Auf der Registerkarte **Advanced (Erweitert)** können Sie bei Bedarf weitere Einstellungen vornehmen. Weitere Informationen finden Sie in der Online-Hilfe.

Fokus-Assistent

Beachten

- Während der Fokussierung der Kamera (Schritte 5 und 6) muss das Sichtfeld der Kamera unverändert bleiben. Falls Sie die Kamera bewegen oder wenn ein Finger oder ein Gegenstand vor dem Objektiv platziert wird, müssen Sie die Schritte 3 bis 7 wiederholen.
- Wenn Bewegungen vor der Kamera nicht vermieden werden können, sollten Sie den Fokus-Assistenten nicht verwenden.
- Wenn die Kamera so montiert ist, dass die Betätigung der Funktionstaste nicht möglich ist, können Sie den Fokus-Assistenten trotzdem verwenden. Folgen Sie den Anweisungen oben, aber hängen Sie die Kamera stattdessen nach Schritt 4 ein (Funktionstaste drücken) und überspringen Sie Schritt 7.

Befolgen Sie zur Fokussierung Ihrer Netzwerk-Kamera mit dem Fokus-Assistenten zunächst die Anweisungen in den Schritten 1 bis 3 auf *Seite 63*, bevor Sie die folgenden Schritte ausführen. Siehe *Übersicht über die Hardware, auf Seite 52*.

1. Fixieren oder platzieren Sie die Kamera so, dass sie nicht bewegt werden kann.
2. Lösen Sie den Zoomregler, indem Sie ihn gegen den Uhrzeigersinn drehen. Bewegen Sie den Regler und stellen Sie die Zoomstärke ein. Drehen Sie den Zoomregler wieder fest.
3. Stellen Sie die Kamera auf die weiteste Fernfokus-Position ein, indem Sie die Feststellschraube für den Fokusring lösen und den Fokusring vollständig gegen den Uhrzeigersinn drehen.
4. Drücken Sie kurz die Funktionstaste. Wenn die Status-LED grün blinkt, ist der Fokus-Assistent aktiviert.
Wenn die Status-LED rot oder gelb blinkt, bevor Sie das Objektiv einstellen können, fahren Sie mit Schritt 7 fort, um den Fokus-Assistenten zu beenden, und wiederholen

die Schritte 3 bis 7. Weitere Informationen finden Sie in den Hinweisen oben. Siehe *Verhalten der LED-Statusanzeige für den Fokus-Assistenten, auf Seite 56.*

5. Drehen Sie den Fokusring vorsichtig gegen den Uhrzeigersinn bis zum Anschlag.
6. Drehen Sie den Fokusring dann langsam gegen den Uhrzeigersinn, bis die Statusanzeige grün oder gelb blinkt (nicht rot).
7. Zum Beenden des Fokus-Assistenten drücken Sie erneut die Funktionstaste. Der Fokus-Assistent wird nach 15 Minuten automatisch ausgeschaltet.
8. Ziehen Sie die Feststellschraube für den Fokusring wieder fest.
9. Öffnen Sie die Seite **Live View (Live-Ansicht)** im Webbrowser und überprüfen Sie die Bildqualität.
10. Klicken Sie auf der Fokus-Seite auf **Fine-tune focus automatically (Automatische Feinabstimmung der Bildschärfe)** und warten Sie, bis die automatische Feinabstimmung abgeschlossen ist.
11. Klicken Sie auf **Enable iris (Blende aktivieren)**. Ist diese Schaltfläche deaktiviert, ist die Blende bereits aktiviert.
12. Auf der Registerkarte **Advanced (Erweitert)** können Sie bei Bedarf weitere Einstellungen vornehmen. Weitere Informationen finden Sie in der Online-Hilfe.

Wechsel des Objektivs

Das Axis-Produkt kann mit optionalen Objektiven verwendet werden.

So wird das Objektiv gewechselt:

1. Ziehen Sie das Blendenkabel ab.
2. Drehen Sie das Standardobjektiv heraus.
3. Setzen Sie das neue Objektiv an und drehen Sie es fest.

So wird die Blendenkonfiguration geändert:

1. Rufen Sie **Setup > Video and Audio > Camera Settings (Einrichtung > Video und Audio > Kameraeinstellungen)** auf. Unter **Iris configuration (Blendenkonfiguration)** wird der aktuelle konfigurierte Blendentyp angezeigt.
2. Klicken Sie auf **Edit (Bearbeiten)**.
3. Wählen Sie die installierte Blende aus der Dropdown-Liste aus und klicken Sie auf **OK**.

Änderung der Blendenkonfiguration für P-Iris-Objektive, die nicht in der Dropdown-Liste aufgeführt sind.

1. Laden Sie die Blendenkonfigurationsdatei von www.axis.com herunter
2. Rufen Sie **Setup > Video and Audio > Camera Settings (Einrichtung > Video und Audio > Kameraeinstellungen)** auf. Unter **Iris configuration (Blendenkonfiguration)** wird der aktuelle konfigurierte Blendentyp angezeigt.
3. In **Iris configuration (Blendenkonfiguration)**: Klicken Sie auf **Edit (Bearbeiten)**.

4. Gehen Sie auf die Registerkarte **Upload (Hochladen)**.
5. Klicken Sie auf **Browse (Durchsuchen)** und wählen Sie die Konfigurationsdatei aus.
6. Klicken Sie auf **Upload (Laden)**. Die installierte Blende wird jetzt in der Dropdown-Liste **Iris Selection (Blendenauswahl)** angezeigt.
7. Wählen Sie die installierte Blende aus der Dropdown-Liste aus und klicken Sie auf **OK**.

Beachten

- Wenn Sie eine DC-Blenden-Konfigurationsdatei für eine P-Iris-Blende auswählen, wird auf der Seite **Camera Settings (Kameraeinstellungen)** unter dem Blendenkonfigurationstyp eine Fehlermeldung angezeigt. Wählen Sie für eigene DC-Iris-Blenden die Option „Generic DC Iris (Generische DC-Blende)“ aus.
- Sie müssen das Produkt nach dem Objektivwechsel nicht neu starten. Ein Neustart ist jedoch erforderlich, wenn Sie ein P-Iris-Objektiv, ein Objektiv mit DC-Blende oder ein Objektiv mit manueller oder fester Blende gegeneinander austauschen. Zum Einstellen der Bildschärfe und zur Positionierung des Objektivs muss die Kamera an das Netzwerk angeschlossen sein.

Zurücksetzen auf Werkseinstellungen

Wichtig

Das Zurücksetzen auf die Werkseinstellungen sollte mit Vorsicht verwendet werden. Beim Zurücksetzen auf die Werkseinstellungen werden alle Einstellungen einschließlich der IP-Adresse auf die Werkseinstellungen zurückgesetzt.

Beachten

Die Software-Tools für Installation und Verwaltung sind auf der mit dem Produkt ausgelieferten CD-ROM und über die Supportseiten unter www.axis.com/techsup verfügbar.

So wird das Produkt auf die Werkseinstellungen zurückgesetzt:

1. Trennen Sie das Produkt von der Stromversorgung.
2. Halten Sie die Steuertaste gedrückt und stecken Sie den Netzstecker wieder ein. Siehe *Übersicht über die Hardware, auf Seite 52*.
3. Halten Sie die Steuertaste etwa 15–30 Sekunden gedrückt, bis die LED-Statusanzeige gelb blinkt.
4. Lassen Sie die Steuertaste los. Der Vorgang ist abgeschlossen, wenn die LED-Statusanzeige grün leuchtet. Das Produkt wurde auf die Werkseinstellungen zurückgesetzt. Wenn kein DHCP-Server im Netzwerk verfügbar ist, lautet die Standard-IP-Adresse 192.168.0.90.
5. Verwenden Sie die Software-Tools für Installation und Verwaltung, um eine IP-Adresse zuzuweisen, ein Kennwort einzurichten und auf den Videostream zuzugreifen.
6. Justieren Sie den Fokus des Produkts neu.

Die Parameter können auch über die Weboberfläche auf die Werkseinstellungen zurückgesetzt werden. Rufen Sie **Setup > System Options > Maintenance (Setup > Systemoptionen > Wartung)** auf.

Weitere Informationen

Das Benutzerhandbuch finden Sie unter www.axis.com.

Unter www.axis.com/techsup finden Sie Firmware-Aktualisierungen für Ihre Netzwerkprodukte. Um die aktuell installierte Firmware-Version zu sehen, gehen Sie auf **Einrichten > Über**.

Besuchen Sie das Axis-Schulungszentrum www.axis.com/academy für anregende Schulungen, Webinare, Lernprogramme und Anleitungen.

Garantieinformationen

Informationen zur Garantie der Axis Produkte und hierzu verbundene Informationen, finden Sie unter www.axis.com/warranty/

Informazioni di Sicurezza

Leggere questa Guida all'Installazione prima di installare il prodotto. Conservare la Guida all'Installazione per usi futuri.

Livelli di pericolo

▲PERICOLO

Indica una situazione pericolosa che, se non evitata, provoca morte o lesioni gravi.

▲AVVERTENZA

Indica una situazione pericolosa che, se non evitata, può provocare la morte o lesioni gravi.

▲ATTENZIONE

Indica una situazione pericolosa che, se non evitata, può provocare lesioni medie o minori.

AVVISO

Indica una situazione che, se non evitata, può danneggiare la proprietà.

Livelli altro messaggio

Importante

Indica informazioni importanti, essenziali per il corretto funzionamento del prodotto.

Nota

Indica informazioni utili che aiutano a ottenere il massimo dal prodotto.

Istruzioni di sicurezza

AVISO

- Il prodotto Axis deve essere utilizzato in conformità alle leggi e alle disposizioni locali.
- Per utilizzare il prodotto Axis in ambienti esterni, o in ambienti simili, deve essere installato in una custodia per esterni approvata.
- Conservare il prodotto Axis in un ambiente asciutto e ventilato.
- Evitare di esporre il prodotto Axis a urti o pressioni eccessive.
- Non installare il prodotto su supporti, superfici o pareti instabili.
- Utilizzare solo strumenti applicabili quando si installa il prodotto Axis. Una forza eccessiva può causare danni al prodotto.
- Non utilizzare sostanze chimiche, agenti caustici o detergenti aerosol. Utilizzare un panno pulito inumidito in acqua pura per la pulizia.
- Utilizzare solo accessori compatibili con le specifiche tecniche del prodotto. Questi possono essere forniti da Axis o da terze parti.
- Utilizzare solo parti di ricambio fornite o consigliate da Axis.
- Non tentare di riparare il prodotto da soli. Contattare l'assistenza o il rivenditore Axis per questioni relative alla manutenzione.

Trasporti

AVISO

- Durante il trasporto del prodotto Axis, utilizzare l'imballaggio originale o equivalente per evitare danni al prodotto.

Batteria

Il prodotto Axis utilizza una batteria al litio da 3,0 V BR/CR2032 come alimentazione per il suo real-time clock (RTC) interno. In condizioni normali questa batteria avrà una durata minima di cinque anni.

Una bassa carica della batteria influisce sul funzionamento del RTC, facendolo resettare a ogni accensione. Quando la batteria deve essere sostituita, un messaggio di registro viene visualizzato nel server report del prodotto. Per ulteriori informazioni sul server report, vedere le pagine di configurazione del prodotto o contattare l'assistenza Axis.

La batteria non deve essere sostituita se non richiesto, ma nel caso in cui questo fosse necessario, contattare il supporto Axis all'indirizzo www.axis.com/techsup per assistenza.

⚠AVVERTENZA

- Rischio di esplosione se la batteria viene sostituita in modo errato.
- Sostituire solo con una batteria identica o una batteria consigliata da Axis.
- Smaltire le batterie usate in base alle normative locali o alle istruzioni del produttore della batteria.

Guida all'installazione

La presente Guida all'installazione fornisce le istruzioni necessarie per installare la telecamera di rete AXIS Q1615-E nella rete in uso. Per ulteriori informazioni sull'utilizzo del prodotto, consultare la Guida per l'utente disponibile all'indirizzo www.axis.com

Procedure di installazione

1. Assicurarsi che il contenuto della confezione, gli strumenti e altri materiali necessari per l'installazione siano in ordine. Consultare *pagina 73*.
2. Studiare la descrizione dell'hardware. Consultare *pagina 74*.
3. Studiare le specifiche. Consultare *pagina 81*.
4. Installazione dell'hardware. Consultare *pagina 83*.
5. Accedere al prodotto. Consultare *pagina 85*.
6. Impostare la messa a fuoco. Consultare *pagina 85*.

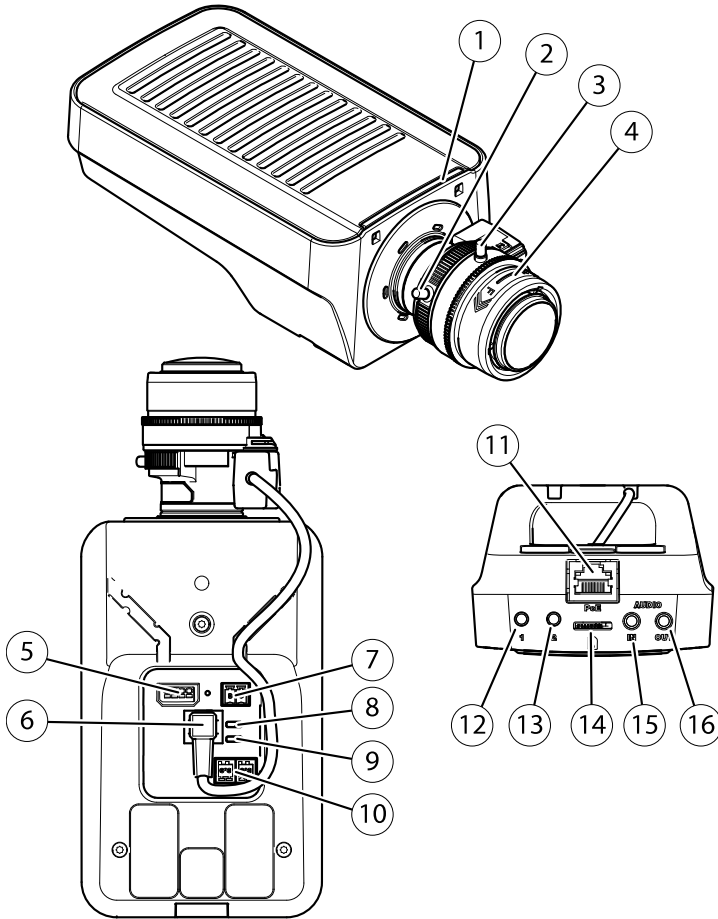
Contenuto della Confezione

- Telecamera di rete AXIS Q1615-E
- Morsettiera I/O a 4 pin per collegare dispositivi esterni
- Morsettiera RS485/422 a 2 pin (x2)
- Montaggio a parete
- Cacciavite Torx T20
- CD d'installazione e gestione
- Materiali stampati
 - Guida all'installazione (questo documento)
 - Etichetta aggiuntiva con numero di serie (2)
 - Chiave di autenticazione AVHS

Accessori opzionali

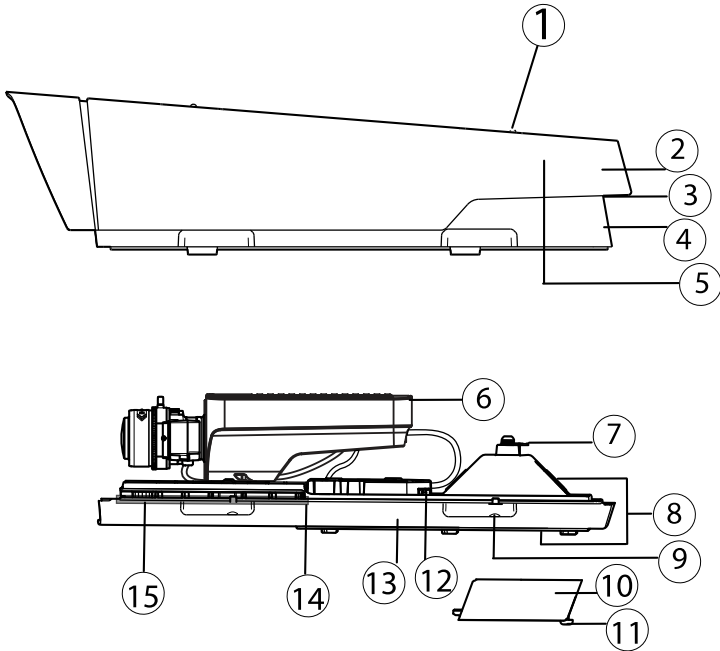
Per informazioni sugli accessori disponibili, inclusi gli accessori per l'alimentazione e gli alloggiamenti da esterni, visitare il sito Web www.axis.com.

Panoramica dell'hardware



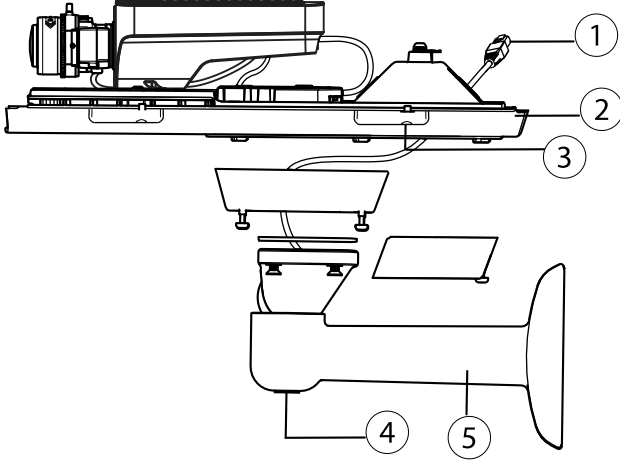
1. *Indicatore LED stato*
2. *Levetta zoom*
3. *Vite di arresto della ghiera di messa fuoco*
4. *Ghiera di messa a fuoco*
5. *Connettore I/O*
6. *Connettore del diaframma*
7. *Morsettiera di alimentazione*
8. *Indicatore LED di alimentazione*
9. *Indicatore LED di rete*

10. Connettore RS485/RS422
11. Connettore di rete (PoE)
12. Pulsante di comando (1)
13. Tasto Funzione (2)
14. Slot per scheda microSD
15. Ingresso audio
16. Uscita audio



1. Vite di regolazione e rondella (2x)
2. Parasole
3. Codice prodotto (P/N) e numero di serie (S/N). Il numero di serie può essere richiesto durante l'installazione.
4. Coperchio superiore
5. Membrana deumidificante. Non rimuovere!
6. Telecamera di rete
7. Linguetta per il cavo di sicurezza
8. Fori per il cavo con pressacavo
9. Viti del coperchio inferiore (4x)
10. Coperchio dei cavi
11. Viti del coperchio dei cavi (2x)
12. Connettore di rete

13. Coperchio inferiore
14. Riscaldatore. **Attenzione!** Può essere caldo.
15. Riscaldatore. **Attenzione!** Può essere caldo.



1. Cavo di rete (far passare attraverso la staffa a parete)
2. Coperchio inferiore
3. Viti del coperchio inferiore (4x)
4. Vite di regolazione della staffa
5. Montaggio a parete

Indicatori LED

LED	Colore	Indicazione
Rete	Verde	Luce fissa per connessione di rete a 100 Mbit/s. Luce lampeggiante: attività di rete.
	Giallo	Luce fissa per connessione di rete a 10 Mbit/s. Luce lampeggiante: attività di rete.
	Spento	Assenza di connessione.
LED di stato	Verde	Luce verde fissa: condizioni di normale utilizzo.
	Giallo	Fissa durante l'avvio e quando si ripristinano le impostazioni.
	Rosso	Luce lampeggiante lenta: aggiornamento non riuscito.
Alimentazione	Verde	Normale utilizzo.
	Giallo	Luce lampeggiante verde/gialla: aggiornamento firmware.

Nota

- Lo status del LED può essere configurato per essere spento durante il normale funzionamento. Per configurarlo, selezionare **Setup > System Options > Ports & Devices > LED (Configurazione > Opzioni di sistema > Porte & Dispositivi > LED)**. Per ulteriori informazioni, consultare l'aiuto in linea.
- Il LED di stato può essere configurato per lampeggiare quando un evento è attivo.
- Il LED di stato può essere configurato per lampeggiare per identificare l'unità. Andare su **Setup > System Options > Maintenance (Configurazione > Opzioni di sistema > Manutenzione)**.
- Il LED di alimentazione può essere configurato per essere spento durante il normale funzionamento. Per configurarlo, selezionare **Setup > System Options > Ports & Devices > LED (Configurazione > Opzioni di sistema > Porte & Dispositivi > LED)**. Per ulteriori informazioni, consultare l'aiuto in linea.
- Il LED di rete può essere disattivato in modo da non lampeggiare in caso di traffico di rete. Per configurarlo, selezionare **Setup > System Options > Ports & Devices > LED (Configurazione > Opzioni di sistema > Porte & Dispositivi > LED)**. Per ulteriori informazioni, consultare l'aiuto in linea.

LED	Colore	Indicazione
Custodia (ventola e riscaldatore)	Verde	Normale utilizzo.
	Luce lampeggiante verde	Lampeggio singolo: Errore riscaldatore Lampeggio doppio: Errore ventola Lampeggio triplo: Errore generale Gli eventi di allarme vengono attivati attraverso la porta di input della telecamera. Contattare il proprio rivenditore Axis per informazioni su pezzi di ricambio e risoluzione dei problemi.

Nota

Questo LED di stato a cui si fa riferimento nella tabella in alto è posizionato nella custodia.

Comportamento del LED di stato per Focus Assistant

Colore	Indicazione
Verde	Focus Assistant abilitato. Obiettivo regolato in modo ottimale.
Giallo	Telecamera spostata oppure inserimento di un oggetto davanti all'obiettivo. Uscire e riavviare Focus Assistant. Obiettivo regolato in modo non ottimale.
Rosso	Telecamera spostata oppure inserimento di un oggetto davanti all'obiettivo. Uscire e riavviare Focus Assistant. Obiettivo regolato in modo improprio.

Segnale acustico per Focus Assistant

Segnale acustico	Obiettivo
Intervallo rapido	Regolato in modo ottimale
Intervallo medio	Regolato in modo meno ottimale
Intervallo lento	Regolato in modo improprio

Comportamento del LED di stato e del segnale acustico per Levelling Assistant

Per informazioni sul tasto Funzione utilizzato per il livellamento della telecamera, consultare *Connettori e pulsanti*.

Colore	Segnale acustico	Posizione telecamera
Verde fisso	Segnale acustico continuo	Orizzontale
Luce lampeggiante verde	Intervallo rapido	Quasi orizzontale
Luce lampeggiante arancione	Intervallo medio	Non orizzontale
Luce lampeggiante rossa	Intervallo lento	Assolutamente non orizzontale

Connettori e pulsanti

Per le specifiche e le condizioni di funzionamento, consultare *pagina 81*.

Connettore di rete

Connettore Ethernet RJ45. Supporta Power over Ethernet (PoE).

AVVISO

A causa di normative locali o condizioni ambientali ed elettriche in cui il prodotto deve essere utilizzato, può essere opportuno o necessario l'utilizzo di un cavo di rete schermato (STP). Eventuali cavi di rete che vengono posizionati all'aperto o in ambienti elettrici devono essere schermati (STP) e destinati al loro uso specifico. Assicurarsi che lo switch di rete sia correttamente messo a terra. Per maggiori informazioni sui requisiti normativi, consultare *Electromagnetic Compatibility (EMC), on page 2*.

Connettore I/O

Utilizzare con dispositivi esterni in combinazione con, ad esempio, allarmi antimanomissione, rilevazione del movimento, attivazione di eventi, registrazione temporizzata e notifiche di allarme. Oltre al punto di riferimento 0 V CC e all'alimentazione (uscita CC), il connettore I/O fornisce l'interfaccia per:

- **Uscita digitale** – Per collegare dispositivi esterni come relè o LED. Le periferiche collegate possono essere attivate tramite VAPIX® API (interfaccia per la programmazione di applicazioni), tramite i pulsanti di comando della pagina Live View (Immagini dal vivo) oppure tramite l'opzione Action Rule (regola di azione). L'uscita verrà visualizzata come attiva (visualizzata in **System Options (Opzioni di Sistema) > Ports & Devices (Porte e Dispositivi)**) se il dispositivo di allarme è attivato.
- **Ingresso digitale** – Ingresso allarme utilizzabile per collegare le periferiche, che può passare dal circuito chiuso al circuito aperto, ad esempio: Sensori di movimento (PIR), contatti porta/finestra, rilevatori di rottura vetri e così via. Dopo la ricezione del segnale lo stato cambia e l'ingresso diventa attivo (visualizzato in **System Options > Ports & Devices (Opzioni di Sistema > Porte e Dispositivi)**).

Nota

Il connettore I/O è collegato alla custodia (ventola/riscaldatore) alla consegna. In caso di errore del ventilatore o del riscaldatore, verrà attivato un segnale di ingresso nella telecamera. Impostare una regola di azione nella telecamera per configurare l'azione che verrà attivata dal segnale. Per informazioni sugli eventi e le regole di azione, consultare la Guida per l'utente disponibile all'indirizzo www.axis.com

Connettore audio

Il prodotto Axis dispone dei seguenti connettori audio:

- **Ingresso audio (rosa)** – Ingresso audio da 3,5 mm per microfono in mono o segnale mono line-in (il canale sinistro è usato da un segnale stereo).
- **Uscita audio (verde)** – Uscita audio da 3,5 mm (livello di linea) che può essere connessa a un sistema di indirizzo pubblico (PA) o a un altoparlante con amplificatore integrato. Per l'uscita audio è necessario usare un connettore stereo.

Connettore RS485/RS422

Due morsettiere per l'interfaccia seriale RS485/RS422 utilizzate per il controllo di periferiche ausiliarie come i dispositivi PTZ.

Slot per scheda SD

È possibile utilizzare una scheda microSD (non inclusa) per la registrazione in modalità locale con unità di archiviazione rimovibile. Per ulteriori informazioni, consultare *Dati tecnici, alla pagina 81*.

AVVISO

Per prevenire il danneggiamento delle registrazioni, la scheda SD deve essere scollegata prima della rimozione. Per scollegare, andare su **Setup > System Options > Storage > SD Card (Configurazione > Opzioni di sistema > Archiviazione > Scheda SD)** e fare clic su **Unmount (Scollega)**.

Pulsante di comando

Il pulsante di comando viene utilizzato per:

- Ripristino del prodotto alle impostazioni predefinite di fabbrica. Consultare *pagina 88*.
- Collegamento a un servizio AXIS Video Hosting System o AXIS Internet Dynamic DNS Service. Per ulteriori informazioni su questi servizi, consultare il Manuale Utente.

Tasto Funzione

Il tasto Funzione può essere utilizzato per più finalità:

- **Levelling assistant:** questa funzione aiuta a garantire che la telecamera sia in posizione orizzontale. Premere il pulsante per circa 3 secondi per avviare il levelling assistant e premere nuovamente per interrompere la funzione. Il LED di stato (consultare *pagina 78*) e il segnale acustico (consultare *pagina 78*) sono di ausilio nel livellamento della telecamera. La telecamera è in posizione orizzontale quando il segnale acustico è continuo.
- **Focus assistant:** questa funzione viene utilizzata per abilitare Focus Assistant. Per abilitare la messa a fuoco assistita, premere e rilasciare molto rapidamente il pulsante. Per uscire da Focus Assistant, premere nuovamente il tasto. Per ulteriori informazioni, consultare *pagina 86*.

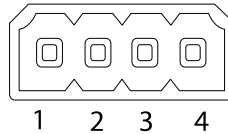
Dati tecnici

Prodotto	Temperatura	Umidità
AXIS Q1615-E	Da -30 °C a 50 °C (da -22 °F a 122 °F) con PoE; fino a -40 °C (fino a -40 °F con High PoE)	10-100% RH (umidità relativa con condensa)

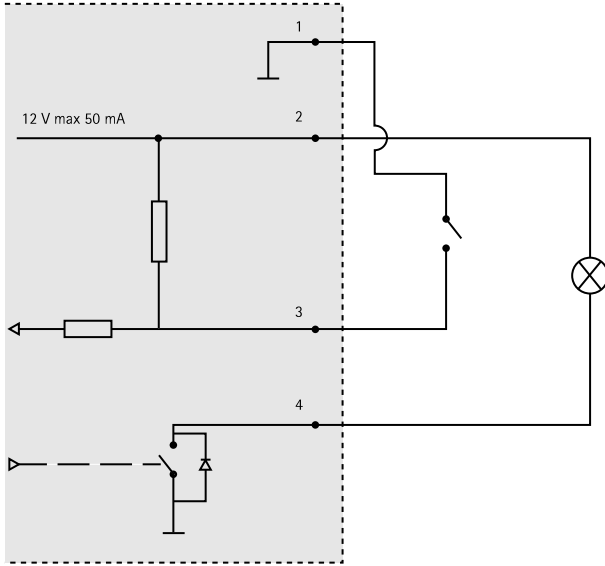
Connettore I/O

Morsettiera a 4 pin per:

- Alimentazione ausiliaria (uscita CC)
- Ingresso digitale
- Uscita digitale
- 0 V CC (-)



Funzione	Pin	Note	Specifiche
0 V CC (-)	1		
Uscita CC	2	Il pin può essere utilizzato anche per alimentare una periferica ausiliaria. Nota: questo pin può essere usato solo come uscita alimentazione.	12 V CC Carico massimo = 50 mA
Configurabile (ingresso o uscita)	3-4	Ingresso digitale - collegare al pin 1 per attivarlo oppure lasciarlo isolato (scollegato) per disattivarlo.	da 0 a max 30 V CC
		Uscita digitale - Collegare al pin 1 quando attiva, isolata (scollegata) quando inattiva. Se utilizzata con un carico induttivo, ad esempio un relè esterno, è necessario collegare un diodo in parallelo al carico per proteggere il dispositivo da sovratensioni.	Da 0 a max 30 V CC, open-drain, 100 mA



- 3. I/O configurato come ingresso
- 4. I/O configurato come uscita

Connettore audio

Connettori audio da 3,5 mm (stereo)

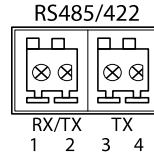


	Ingresso audio	Uscita audio
1 Punta	Ingresso microfono/linea	Uscita linea (mono)
2 Anello		
3 Guaina	Terra	Terra

Connettore RS485/422

Due morsettiere a 2 pin per interfaccia seriale RS485/RS422. La porta seriale può essere configurata per supportare:

- RS485 a due fili, half-duplex
- RS485 a quattro fili, full-duplex
- RS422 a due fili, simplex
- Comunicazione full-duplex punto a punto con RS422 a quattro fili



Funzione	Pin	Note
RS485B alt RS485/422 RX(B)	1	Coppia RX per tutte le modalità (RX/TX combinata per RS485 con due cavi)
RS485A alt RS485/422 RX(A)	2	
RS485/RS422 TX(B)	3	Coppia TX per RS422 e RS485 con quattro cavi
RS485/RS422 TX(A)	4	

Importante

La lunghezza massima del cavo consigliata è di 30 m (98,4 ft).

Slot per scheda SD

Supporta schede microSD con un massimo di 64 GB di archiviazione. Per prestazioni di registrazione ottimali, utilizzare una scheda microSDHC UHS-I o microSDXC UHS-I. A temperature inferiori a - 25° C utilizzare schede SD di qualità industriale.

Installazione dell'Hardware

Per installare la staffa a parete, la seguente procedura:

Nota

- Il peso della telecamera è di 3525 g (7,7 libbre). Controllare che il materiale sia sufficientemente robusto per sostenere tale peso.
 - L'utilizzo di un pressacavo differente da quello fornito può provocare infiltrazioni di acqua e danni al prodotto.
 - Utilizzare sempre un cavo di rete schermato (STP) predisposto all'uso esterno tra il prodotto Axis e il punto terminale e assicurarsi che tale punto disponga di una corretta messa a terra. Le installazioni dei prodotti Axis mediante un cavo di rete schermato (STP) e un punto terminale con corretta messa a terra sono state testate per essere conformi ai livelli standard delle norme di immunità di settore, ad esempio la protezione per sovratensioni. Qualsiasi altro metodo di installazione rende nulla la garanzia ed espone a rischi l'unità.
 - Un cavo opzionale con un diametro compreso tra 4,0 e 5,5 mm deve essere inserito in un pressacavo differente. Consultare *Panoramica dell'hardware, alla pagina 74*.
1. Utilizzare la maschera di foratura fornita per preparare una parete o un'asta per l'installazione della staffa a parete.
 2. Inserire il cavo di rete attraverso la staffa per il montaggio a parete e attraverso l'adattatore della stessa. Lasciare approssimativamente 30 cm (11,8") di cavo per il collegamento alla telecamera.
 3. Installare la staffa a parete su una parete, un soffitto o un'asta mediante viti e connettori appropriati per il materiale (ad esempio legno, metallo, cartongesso, pietra).

Per inserire il cavo di rete e altri cavi (opzionali), effettuare la seguente procedura:

1. Allentare le viti del coperchio del cavo; rimuovere tale coperchio da quello inferiore.
2. Rimuovere il cappuccio, la spina e la guarnizione dal pressacavo da utilizzare.
3. Passare il cavo di rete attraverso il cappuccio.
4. Far scorrere il cavo di rete attraverso la fessura nella guarnizione.
5. Passare il cavo di rete attraverso il pressacavo.
6. Premere la guarnizione nel pressacavo e fissare saldamente il cappuccio.

Per fissare la telecamera alla staffa a parete, seguire questa procedura:

1. Posizionare la telecamera con il coperchio inferiore sulla staffa a parete, quindi serrare le viti della staffa.
2. Rimontare il coperchio dei cavi e serrare le viti.
3. Collegare i cavi. Consultare *Collegamento dei cavi, alla pagina 85*.
4. Allentare le vite di regolazione della staffa per mettere a fuoco la telecamera; mettere a fuoco la telecamera in base alle seguenti istruzioni *Regolazione della messa a fuoco, alla pagina 85*.
5. Consultare anche *Accedere al Prodotto, alla pagina 85* per accedere al flusso video.
6. Fissare il cavo di sicurezza nel coperchio superiore alla linguetta nel coperchio inferiore. Consultare l'immagine in *Panoramica dell'hardware, alla pagina 74*.

7. Facoltativamente, inserire una scheda di memoria SD (non inclusa) nell'alloggiamento per la scheda SDHC (Secure Digital High Capacity). Per memorizzare localmente le immagini riprese dalla telecamera, è necessaria una scheda SD con capacità standard o elevata.

Collegamento dei cavi

1. Collegare facoltativamente dispositivi esterni di ingresso/uscita. Consultare , *alla pagina 81*.
2. Collegare il cavo di rete al connettore di rete nell'alloggiamento.

AVVISO

A causa di normative locali o condizioni ambientali ed elettriche in base alle quali il prodotto deve essere utilizzato, può essere opportuno o necessario l'utilizzo di un cavo di rete schermato (STP). Eventuali cavi di rete posizionati all'aperto o in ambienti elettrici in condizioni difficili devono essere schermati (STP) e destinati al loro uso specifico.

Accedere al Prodotto

Utilizzare le utility contenute nel CD del software d'installazione e gestione per assegnare un indirizzo IP, impostare la password ed accedere al flusso video. Queste informazioni sono disponibili anche sulle pagine dedicate all'assistenza sul sito www.axis.com/techsup/

Regolazione della messa a fuoco

Per regolare lo zoom e la messa a fuoco, attenersi alla seguente procedura:

Nota

- È consigliabile regolare il più accuratamente possibile la messa a fuoco tramite l'apposita ghiera o Focus Assistant prima di avviare la regolazione automatica precisa. Generalmente i risultati migliori si ottengono utilizzando la ghiera di messa a fuoco.
 - Il diaframma deve sempre essere aperto al massimo quando si regola la messa a fuoco. In questo modo, viene utilizzata la minima profondità di campo, offrendo le condizioni migliori per una corretta messa a fuoco.
1. Aprire la pagina iniziale del prodotto e selezionare **Setup (Impostazioni) > Basic Setup (Impostazioni di base) > Focus (Messa a fuoco)**.
 2. Nella scheda **Basic (Base)**, fare clic su **Open iris (Aprire diaframma)**. Se il pulsante è inattivo, il diaframma è già aperto.
 3. Se la messa a fuoco è già stata impostata, fare clic su **Reset (Reimposta)** per reimpostare la messa a fuoco.
 4. Allentare la levetta dello zoom e la vite di arresto della ghiera di messa fuoco (consultare *Panoramica dell'hardware, alla pagina 74*) sull'obiettivo ruotandole in senso antiorario. Spostare la levetta dello zoom e la ghiera di messa a fuoco per impostare lo zoom e la

messa a fuoco, quindi controllare la qualità dell'immagine nella finestra corrispondente. Se la telecamera è montata in una posizione che non consente di controllare l'immagine e di spostare contemporaneamente la levetta dello zoom e la ghiera di messa fuoco, usare il Focus Assistant. Consultare *Focus Assistant - Messa a Fuoco Assistita, alla pagina 86*.

5. Riavvitare la levetta dello zoom e la vite di arresto della ghiera di messa fuoco.
6. Nella pagina della messa a fuoco, fare clic su **Fine-tune focus automatically (Messa a fuoco regolazione fine automatica)** e aspettare fino a quando la regolazione fine automatica non viene completata.
7. Fare clic su **Enable iris (Abilita diaframma)**. Se il pulsante è inattivo, il diaframma è già abilitato.
8. Se necessario, apportare ulteriori regolazioni nella scheda **Advanced (Avanzate)**. Per ulteriori informazioni, consultare l'aiuto in linea.

Focus Assistant - Messa a Fuoco Assistita

Nota

- Verificare che la scena davanti alla telecamera non cambi durante la regolazione della messa a fuoco (punti 5 e 6). Se si sposta la telecamera o si colloca un dito o un altro oggetto davanti all'obiettivo, sarà necessario ripetere le operazioni descritte nei punti da 3 a 7.
- Se non è possibile evitare movimenti davanti alla telecamera, non utilizzare Focus Assistant.
- È possibile utilizzare Focus Assistant anche se la posizione di installazione della telecamera non consente l'accesso al tasto Funzione. Seguire le istruzioni seguenti, ma montare la telecamera dopo il passaggio 4 (tenendo premuto il tasto Funzione) e saltare il passaggio 7.

Per regolare la messa a fuoco della telecamera tramite Focus Assistant, seguire le istruzioni riportate nei punti da 1 a 3 a *pagina 85* prima di eseguire le operazioni descritte di seguito. Consultare *Panoramica dell'hardware, alla pagina 74*.

1. Installare o collocare la telecamera in un luogo da cui non possa essere spostata.
2. Allentare la levetta di regolazione dello zoom ruotandola in senso antiorario. Spostare la levetta per impostare il livello di zoom. Riavvitare la levetta dello zoom.
3. Impostare la telecamera nella posizione corrispondente alla massima distanza di messa a fuoco allentando la vite di arresto della ghiera di messa a fuoco e ruotando la ghiera di messa a fuoco in senso antiorario fino in fondo.
4. Premere e rilasciare velocemente il tasto Funzione. Se il LED di stato inizia a lampeggiare in verde, significa che Focus Assistant è abilitato.

Se il LED di stato lampeggia in rosso o giallo prima che si sia riusciti a regolare l'obiettivo, passare al punto 7 per uscire da Focus Assistant e ripetere le operazioni descritte nei punti da 3 a 7. Per ulteriori informazioni, consultare le note riportate in precedenza. Consultare *Comportamento del LED di stato per Focus Assistant, alla pagina 78*.

5. Ruotare delicatamente la ghiera di messa fuoco in senso orario fino all'arresto.

6. Ruotare la ghiera di messa a fuoco lentamente in senso antiorario fino a quando l'indicatore di stato lampeggia in verde o giallo (non in rosso).
7. Per uscire da Focus Assistant, premere nuovamente il tasto Funzione. Focus Assistant si disattiva automaticamente dopo 15 minuti.
8. Riavvitare la vite di arresto della ghiera di messa fuoco.
9. Aprire la pagina **Live View (Vista dal Vivo)** nel browser e controllare la qualità dell'immagine.
10. Nella pagina della messa a fuoco, fare clic su **Fine-tune focus automatically (Messa a fuoco regolazione fine automatica)** e aspettare fino a quando la regolazione fine automatica non viene completata.
11. Fare clic su **Enable iris (Abilita diaframma)**. Se il pulsante è inattivo, il diaframma è già abilitato.
12. Se necessario, apportare ulteriori regolazioni nella scheda **Advanced (Avanzate)**. Per ulteriori informazioni, consultare l'aiuto in linea.

Sostituzione dell'obiettivo

Per il prodotto Axis è possibile utilizzare obiettivi opzionali.

Per sostituire l'obiettivo:

1. Scollegare il cavo del diaframma.
2. Svitare l'obiettivo standard.
3. Collegare e avvitare il nuovo obiettivo.

Per modificare la configurazione del diaframma:

1. Andare a **Setup (Configurazione) > Video and Audio (Video e audio) > Camera Settings (Impostazioni telecamera)**. **Iris configuration (Configurazione diaframma)** mostra il tipo di diaframma attualmente configurato.
2. Fare clic su **Edit (Modifica)**.
3. Selezionare l'obiettivo del diaframma installato dall'elenco a discesa e fare clic su **OK**.

Per modificare la configurazione del diaframma per obiettivi P-iris non presenti nell'elenco a discesa:

1. Scaricare il file di configurazione del diaframma da www.axis.com
2. Andare a **Setup (Configurazione) > Video and Audio (Video e audio) > Camera Settings (Impostazioni telecamera)**. **Iris configuration (Configurazione diaframma)** mostra il tipo di diaframma attualmente configurato.
3. In **Iris configuration (Configurazione diaframma)**: Fare clic su **Edit (Modifica)**.
4. Andare alla scheda **Upload (Caricamento)**.
5. Fare clic su **Browse (Sfogliare)** e selezionare il file di configurazione.
6. Fare clic su **Upload (Caricamento)**. L'obiettivo del diaframma installato deve essere ora incluso nell'elenco a discesa **Iris Selection (Selezione diaframma)**.

7. Selezionare l'obiettivo del diaframma installato dall'elenco a discesa e fare clic su **OK**.

Nota

- Se si seleziona un file di configurazione DC iris per un obiettivo P-iris, verrà visualizzato un messaggio di errore sotto il tipo di configurazione del diaframma nella pagina **Camera Settings (Impostazioni telecamera)**. Per obiettivi DC Iris personalizzati, selezionare l'opzione Generic DC Iris (DC Iris generico).
- Non è necessario riavviare il prodotto dopo la sostituzione dell'obiettivo. Il prodotto deve tuttavia essere riavviato se la sostituzione avviene tra un obiettivo P-iris, DC-Iris o con diaframma fisso/manuale. Per impostare la messa a fuoco e posizionare l'obiettivo, il prodotto deve essere collegato alla rete.

Ripristino dei valori predefiniti di fabbrica

Importante

Il ripristino delle impostazioni di fabbrica deve essere usato con cautela. Un ripristino delle impostazioni di fabbrica consentirà di ripristinare le impostazioni di fabbrica per tutti i parametri, incluso l'indirizzo IP.

Nota

Gli strumenti per l'installazione e la gestione del software sono disponibili sul CD fornito con il prodotto e sulle pagine dedicate all'assistenza sul sito Web www.axis.com/techsup.

Per ripristinare il prodotto alle impostazioni predefinite di fabbrica:

1. Scollegare l'alimentazione dal prodotto.
2. Tenere premuto il pulsante di controllo e ricollegare l'alimentazione. Vedere *Panoramica dell'hardware, alla pagina 74*.
3. Tenere premuto il pulsante di controllo per 15–30 secondi circa fino a quando l'indicatore LED di stato lampeggerà in giallo.
4. Rilasciare il pulsante di controllo. Il processo è completo quando il LED di stato diventerà verde. Il prodotto è stato reimpostato alle impostazioni di fabbrica predefinite. Se nessun server DHCP è disponibile in rete, l'indirizzo IP predefinito è 192.168.0.90.
5. Mediante gli strumenti per l'installazione e la gestione del software, assegnare un indirizzo IP, impostare la password e accedere al flusso video.
6. Ripetere la messa a fuoco del prodotto.

È anche possibile reimpostare i parametri alle impostazioni predefinite di fabbrica mediante l'interfaccia web. Andare su **Setup > System Options > Maintenance (Configurazione > Opzioni di sistema > Manutenzione)**.

Ulteriori Informazioni

Il Manuale per l'Utente è disponibile all'indirizzo www.axis.com

Visitare il sito all'indirizzo www.axis.com/techsup per verificare se sono stati pubblicati aggiornamenti del firmware per il proprio prodotto di rete. Per conoscere la versione del firmware installata, andare su **Setup (Impostazioni) > About (Informazioni su)**.

Visitare il Centro di apprendimento Axis alla pagina www.axis.com/academy per servizi di formazione utili, webinar, tutorial e guide.

Informazioni sulla garanzia

Per informazioni sulla garanzia del prodotto Axis e informazioni ad esso relative, consultare la pagina www.axis.com/warranty/

Información de seguridad

Lea esta Guía de instalación con atención antes de instalar el producto. Guarde la Guía de instalación para poder consultarla en otro momento.

Niveles de peligro

▲PELIGRO

Indica una situación peligrosa que, si no se evita, provocará lesiones graves o la muerte.

▲ADVERTENCIA

Indica una situación peligrosa que, si no se evita, puede provocar lesiones graves o la muerte.

▲ATENCIÓN

Indica una situación peligrosa que, si no se evita, puede provocar lesiones moderadas o leves.

AVISO

Indica una situación peligrosa que, si no se evita, puede provocar daños materiales.

Otros niveles de mensaje

Importante

Indica información importante que es fundamental para que el producto funcione correctamente.

Nota

Indica información útil que ayuda a aprovechar el producto al máximo.

Instrucciones de seguridad

AVISO

- El producto de Axis debe utilizarse de acuerdo con las leyes y normas locales.
- Para usar el producto de Axis en exteriores, o en entornos similares, debe instalarse en una carcasa exterior aprobada.
- Almacene el producto de Axis en un entorno seco y ventilado.
- Evite la exposición del producto de Axis a choques o a una fuerte presión.
- No instale el producto en soportes, superficies o paredes inestables.
- Utilice solo las herramientas correspondientes cuando instale el producto de Axis. La aplicación de una fuerza excesiva puede provocar daños en el producto.
- No utilice limpiadores en aerosol, agentes cáusticos ni productos químicos. Limpie con un trapo limpio humedecido con agua pura.
- Utilice solo accesorios que cumplan con las especificaciones técnicas del producto. Estos accesorios los puede proporcionar Axis o un tercero.
- Utilice solo piezas de repuesto proporcionadas o recomendadas por Axis.
- No intente reparar el producto usted mismo. Póngase en contacto con el servicio de asistencia técnica de Axis o con su distribuidor de Axis para tratar asuntos de reparación.

Transporte

AVISO

- Cuando transporte el producto de Axis, utilice el embalaje original o un equivalente para evitar daños en el producto.

Batería

Este producto de Axis utiliza una batería de litio BR/CR2032 de 3,0 V como fuente de alimentación del reloj interno en tiempo real. En condiciones normales, esta batería durará un mínimo de cinco años.

Un nivel bajo de batería afectará al funcionamiento del reloj en tiempo real, lo que provocará el restablecimiento de este cada vez que se encienda el producto. Cuando sea necesario sustituir la batería, aparecerá un mensaje de registro en el informe del servidor del producto. Para obtener más información sobre el informe del servidor, vea las páginas de configuración del producto o póngase en contacto con el servicio de asistencia técnica de Axis.

La batería no debe sustituirse a menos que sea necesario; no obstante, si precisa hacerlo, póngase en contacto con el servicio de asistencia técnica de Axis en www.axis.com/techsup para solicitar ayuda.

⚠ADVERTENCIA

- La sustitución incorrecta de la batería implica riesgo de explosión.
- Sustituya la batería con una batería idéntica u otra batería recomendada por Axis.
- Deseche las baterías usadas de conformidad con la normativa local o las instrucciones del fabricante.

Guía de instalación

Esta Guía de instalación incluye las instrucciones necesarias para instalar la cámara de red AXIS Q1615-E en su red. Para conocer otros aspectos de uso del producto, vea el Manual del usuario disponible en www.axis.com

Pasos de la instalación

1. Asegúrese de que dispone del contenido del paquete, las herramientas y los demás materiales necesarios para la instalación. Vea *página 95*.
2. Estudie la información general del hardware. Vea *página 96*.
3. Estudie las especificaciones. Vea *página 103*.
4. Instale el hardware. Vea *página 105*.
5. Acceda al producto. Vea *página 107*.
6. Establezca el enfoque. Vea *página 107*.

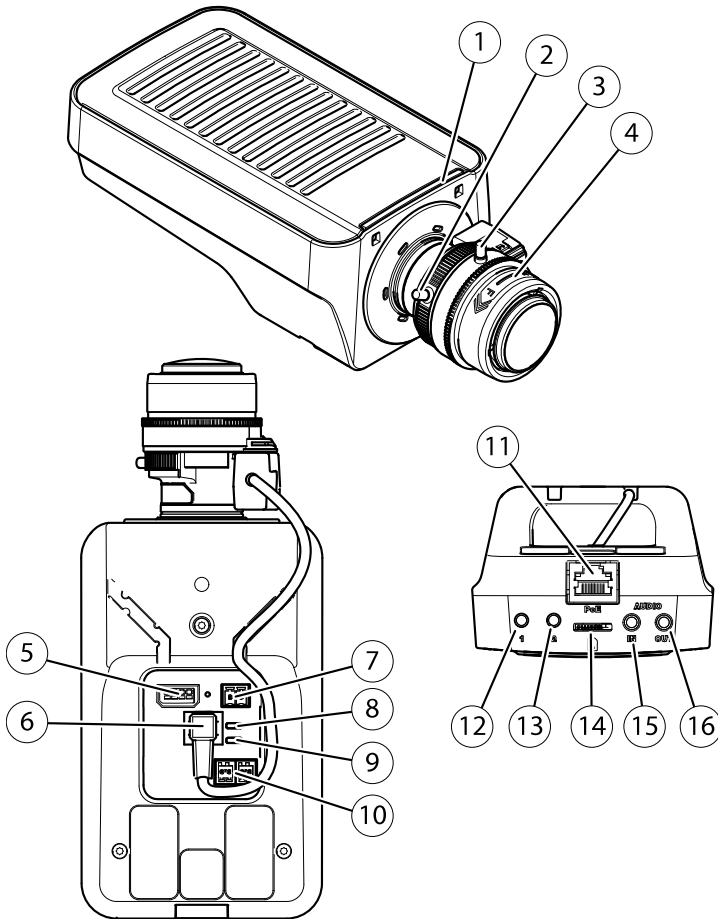
Contenido del paquete

- Cámara de red AXIS Q1615-E
- Bloque de terminales de E/S de cuatro pines para conectar dispositivos externos
- Bloque de terminales de dos pines RS485/422 (x2)
- Montaje en pared
- Destornillador Torx T20
- CD del software de instalación y gestión
- Materiales impresos
 - Guía de instalación (este documento)
 - Etiquetas adicionales con el número de serie (2x)
 - Clave de autenticación AVHS

Accesorios opcionales

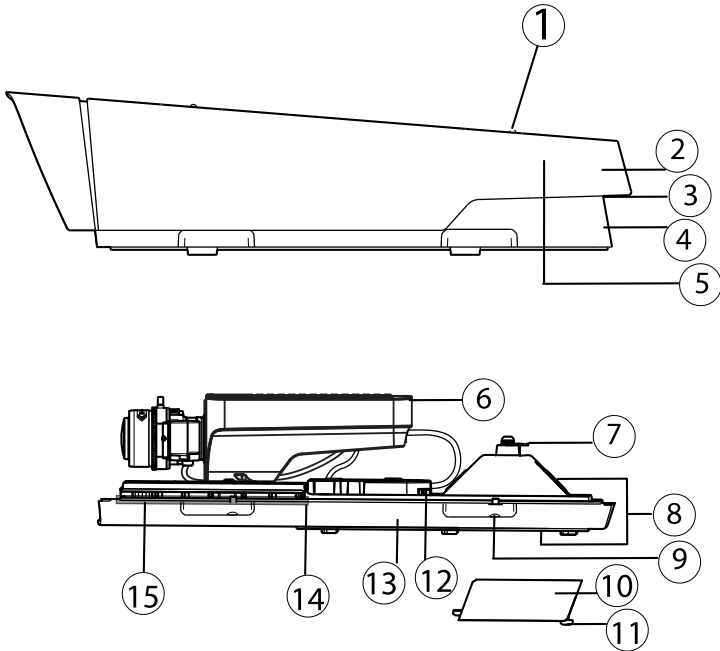
Para obtener información sobre los accesorios disponibles, incluidos los accesorios de alimentación y las carcasas para exteriores, visite www.axis.com.

Información general del hardware



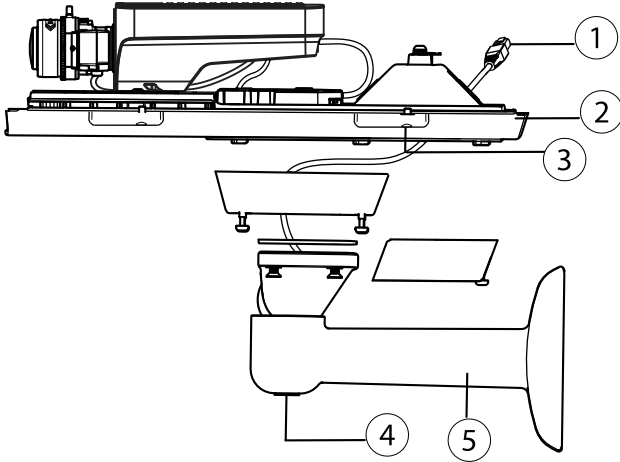
1. *Indicador LED de estado*
2. *Palanca de zoom*
3. *Tornillo de bloqueo del anillo de enfoque*
4. *Anillo de enfoque*
5. *Conector de E/S*
6. *Conector de iris*
7. *Conector de alimentación*
8. *Indicador LED de corriente*
9. *Indicador LED de red*

10. Conector RS485/RS422
11. Conector de red (PoE)
12. Botón de control (1)
13. Botón de función (2)
14. Ranura para tarjetas microSD
15. Entrada de audio
16. Salida de audio



1. Tornillo de ajuste del parasol (2x)
2. Parasol
3. Número de producto (P/N) y número de serie (S/N). Puede necesitarse el número de serie durante la instalación.
4. Cubierta superior
5. Membrana deshumidificadora. No extraer.
6. Cámara de red
7. Lengüeta para cable de seguridad
8. Orificios para cable con prensaestopa
9. Tornillos de cubierta inferior (4x)
10. Cubierta de cable
11. Tornillos de cubierta de cable (2x)
12. Conector de red

13. Cubierta inferior
14. Calefactor. **¡Cuidado!** Puede estar caliente.
15. Calefactor. **¡Cuidado!** Puede estar caliente.



1. Cable de red (guiado a través de la escuadra de pared)
2. Cubierta inferior
3. Tornillos de cubierta inferior (4x)
4. Tornillo de ajuste de escuadra
5. Montaje en pared

Indicadores LED

LED	Color	Indicación
Red	Verde	Fijo para indicar una conexión a una red de 100 Mbits/s. Parpadea cuando hay actividad de red.
	Ámbar	Fijo para indicar una conexión a una red de 10 Mbits/s. Parpadea cuando hay actividad de red.
	Apagado	No hay conexión a la red.
Estado	Verde	Verde fijo para indicar un funcionamiento normal.
	Ámbar	Fijo durante el inicio y al restaurar valores de configuración.
	Rojo	Parpadea despacio si se ha producido un error en una actualización.

Alimentación	Verde	Funcionamiento normal.
	Ámbar	Parpadea en verde/ámbar durante la actualización del firmware.

Nota

- Se puede configurar el LED Estado para que se apague durante el funcionamiento normal. Para ello, vaya a **Setup > System Options > Ports & Devices > LED** (Configuración > Opciones del sistema > Puertos y dispositivos > LED). Vea la ayuda en línea para obtener más información.
- Se puede configurar el LED Estado para que parpadee mientras haya un evento activo.
- Se puede configurar el LED de estado para que parpadee e identifique la unidad. Vaya a **Setup > System Options > Maintenance** (Configuración > Opciones del sistema > Mantenimiento).
- Se puede configurar el indicador LED de alimentación para que se apague durante el funcionamiento normal. Para ello, vaya a **Setup > System Options > Ports & Devices > LED** (Configuración > Opciones del sistema > Puertos y dispositivos > LED). Vea la ayuda en línea para obtener más información.
- El indicador LED de red puede desactivarse para que no parpadee cuando exista tráfico de red. Para ello, vaya a **Setup > System Options > Ports & Devices > LED** (Configuración > Opciones del sistema > Puertos y dispositivos > LED). Vea la ayuda en línea para obtener más información.

LED	Color	Indicación
Carcasa (ventilador y calentador)	Verde	Funcionamiento normal.
	Verde parpadeante	Un parpadeo: error del calentador Doble parpadeo: error del ventilador Triple parpadeo: error general Los eventos de alarma se activarán a través del puerto de entrada de la cámara. Póngase en contacto con su distribuidor de Axis para obtener información sobre repuestos y solución de problemas.

Nota

Este indicador LED de estado al que se hace referencia en la tabla anterior se encuentra en la carcasa.

Comportamiento del indicador LED de estado del Asistente de enfoque

Color	Indicación
Verde	El Asistente de enfoque está activado. El ajuste del objetivo es óptimo.
Ámbar	La cámara se ha movido o se ha colocado algún objeto delante del objetivo. Salga y reinicie el Asistente de enfoque. El ajuste del objetivo es menos óptimo.
Rojo	La cámara se ha movido o se ha colocado algún objeto delante del objetivo. Salga y reinicie el Asistente de enfoque. El ajuste del objetivo es pobre.

Avisador acústico del Asistente de enfoque

Avisador acústico	Objetivo
Intervalo rápido	Ajuste óptimo
Intervalo medio	Ajuste menos óptimo
Intervalo lento	Ajuste pobre

Comportamiento del indicador LED de estado y la señal del avisador acústico con el Asistente de nivelación

Para obtener información sobre el botón de función, utilizado para nivelar la cámara, vea *Conectores y botones*.

Color	Avisador acústico	Posición de la cámara:
Verde continuo	Sonido continuo	Nivelada
Verde parpadeante	Intervalo rápido	Casi nivelada
Ámbar parpadeante	Intervalo medio	No nivelada
Rojo parpadeante	Intervalo lento	En absoluto nivelada

Conectores y botones

Para conocer las especificaciones y las condiciones de funcionamiento, vea *página 103*.

Conector de red

Conector Ethernet RJ45. Admite alimentación a través de Ethernet (PoE).

AVISO

Debido a la normativa local o a las condiciones ambientales y eléctricas en las que se vaya a utilizar el producto, puede que sea adecuado u obligatorio el uso de un cable de red blindado (STP). Todos los cables de red que se utilicen en exteriores o en entornos eléctricos exigentes deberán estar blindados (STP) y diseñados para su uso específico. Asegúrese de que el conmutador de red disponga de una conexión a tierra adecuada. Para obtener información sobre los requisitos normativos, vea *Electromagnetic Compatibility (EMC)*, on page 2.

Conector de E/S

Se utiliza con dispositivos externos combinados, por ejemplo, con alarmas antimanipulación, detección de movimiento, activación de eventos, grabación de intervalos de tiempo y notificaciones de alarma. Además del punto de referencia de 0 V CC y la potencia (salida de CC), el conector de E/S ofrece la interfaz para:

- **Salida digital** – para conectar dispositivos externos como relés y LED. Los dispositivos conectados se pueden activar mediante la Interfaz de programación de aplicaciones (API) VAPIX®, los botones de salida de la página Live View o mediante una regla de acción. La salida se mostrará activa (se indica en **System Options > Ports & Devices** (Opciones del sistema > Puertos y dispositivos)) si el dispositivo de alarma está activado.
- **Entrada digital** – una entrada de alarma para conectar dispositivos que puedan alternar circuitos cerrados y abiertos, como: detectores PIR, contactos de puertas y ventanas, detectores de rotura de cristales, etc. Cuando se recibe una señal, el estado cambia y la entrada se vuelve activa (se indica en **System Options > Ports & Devices** (Opciones del sistema > Puertos y dispositivos)).

Nota

El conector de E/S se entrega conectado a la carcasa (ventilador/calentador). En caso de fallo del ventilador o del calentador, se activará una señal de entrada en la cámara. Configure una regla de acción en la cámara para determinar qué acción debe activar la señal. Para obtener información sobre eventos y reglas de acción, consulte el Manual de usuario disponible en www.axis.com.

Conector de audio

El producto de Axis integra los siguientes conectores de audio:

- **Entrada de audio (rosa)**: entrada de 3,5 mm para micrófono mono, o entrada de línea de señal mono (se usa el canal izquierdo de una señal estéreo).
- **Salida de audio (verde)**: salida para audio (nivel de línea) de 3,5 mm que se puede conectar a un sistema de megafonía pública o a un altavoz con amplificador incorporado. Debe utilizarse un conector estéreo para la salida de audio.

Conector RS485/RS422

Dos bloques de terminales de 2 pines para la interfaz serie RS485/RS422 usada para controlar equipos auxiliares, como dispositivos PTZ.

Ranura para tarjetas SD

Puede emplearse una tarjeta microSD (no incluida) para la grabación local con almacenamiento extraíble. Para obtener más información, vea *Especificaciones, en la página 103*.

AVISO

Antes de retirar la tarjeta SD, hay que desinstalarla para evitar que las grabaciones resulten dañadas. Para desinstalarla, vaya a **Setup > System Options > Storage > SD Card (Configuración > Opciones del sistema > Almacenamiento > Tarjeta SD)** y haga clic en **Unmount (Desinstalar)**.

Botón de control

El botón de control se utiliza para lo siguiente:

- Restablecer el producto a la configuración predeterminada de fábrica. Vea *página 110*.
- Conectarse a un servicio AXIS Video Hosting System o al Servicio de DNS dinámico de Internet de AXIS. Para obtener más información sobre estos servicios, vea el Manual del usuario.

Botón de función

El botón de función tiene diversas utilidades:

- **Asistente de nivelación:** esta función ayuda a garantizar que la cámara está nivelada. Presione el botón durante 3 segundos aproximadamente para iniciar el Asistente de nivelación; presiónelo de nuevo para detener el Asistente de nivelación. El indicador LED de estado (vea *página 100*) y la señal del avisador acústico (vea *página 100*) ayudan en la nivelación de la cámara. La cámara está nivelada cuando el avisador acústico emite un sonido continuo.
- **Asistente de enfoque:** esta función se utiliza para activar el Asistente de enfoque. Para activar el Asistente de enfoque, presione y suelte rápidamente el botón. Para detener el Asistente de enfoque, presione y suelte rápidamente el botón una vez más. Para obtener más información, vea *página 108*.

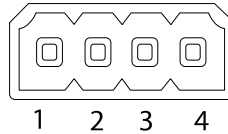
Especificaciones

Producto	Temperatura	Humedad
AXIS Q1615-E	-30 °C - 50 °C con PoE; mínimo de hasta -40 °C con High PoE	10 % - 100 % de humedad relativa (con condensación)

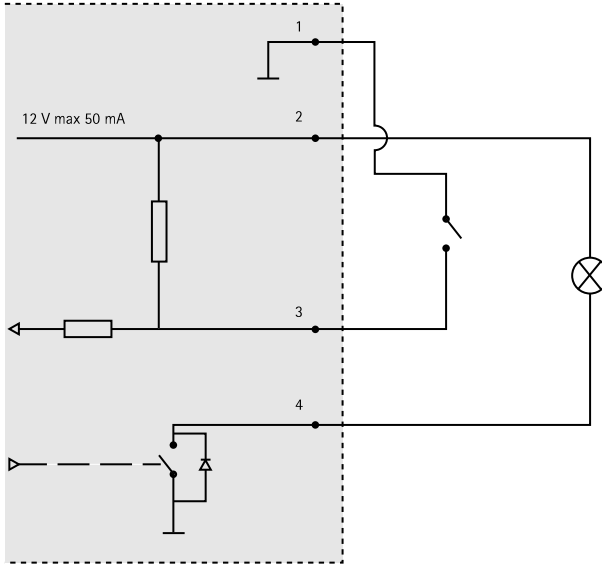
Conector de E/S

Bloque de terminales de cuatro pines para:

- Alimentación auxiliar (salida de CC)
- Entrada digital
- Salida digital
- 0 V CC (-)



Función	Pin	Notas	Especificaciones
0 V CC (-)	1		
Salida de CC	2	Se puede utilizar para conectar el equipo auxiliar. Nota: Este pin solo se puede utilizar como salida.	12 V CC Carga máx. = 50 mA
Configurable (entrada o salida)	3-4	Entrada digital: Conéctela al pin 1 para activarla, o bien déjala suelta (o desconectada) para desactivarla.	0 a 30 V CC máx.
		Salida digital: Conectada al pin 1 cuando se activa y suelta (sin conectar) cuando está desactivada. Si se utiliza con una carga inductiva (por ejemplo, un relé), debe conectarse un diodo en paralelo a la carga como protección ante transitorios de tensión.	0 a 30 V CC máx., drenaje abierto, 100 mA



- 3. E/S configurada como entrada
- 4. E/S configurada como salida

Conector de audio

Conectores de audio de 3,5 mm (estéreo)

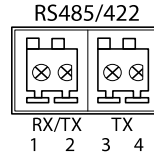


	Entrada de audio	Salida de audio
1 Punta	Entrada de línea/micrófono	Salida de línea (mono)
2 Anillo		
3 Manguito	Tierra	Tierra

Conector RS485/422

Dos bloques de terminales de 2 pines para la interfaz serie RS485/RS422. El puerto serie puede configurarse para admitir:

- Semidúplex RS485 de dos cables
- Dúplex completo RS485 de cuatro cables
- Simplex RS422 de dos cables
- Dúplex completo RS422 de cuatro cables para comunicación dúplex punto a punto



Función	Pin	Notas
RS485B alt RS485/422 RX(B)	1	Par RX para todos los modos (RX/TX combinados para RS485 de dos cables)
RS485A alt RS485/422 RX(A)	2	
RS485/RS422 TX(B)	3	Par TX para RS422 y RS485 de cuatro cables
RS485/RS422 TX(A)	4	

Importante

La longitud de cable máxima recomendada es 30 m.

Ranura para tarjetas SD

Admite tarjetas microSD de hasta 64 GB de capacidad de almacenamiento. Para obtener un rendimiento de grabación óptimo, utilice una tarjeta microSDHC UHS-I o microSDXC UHS-I. Cuando la temperatura sea inferior a - 25 °C, utilice una tarjeta SD industrial.

Instalación del hardware

Realice lo siguiente para instalar la escuadra de pared:

Nota

- El peso de la cámara es 3525 g. Compruebe que el material sea lo suficientemente resistente como para soportar ese peso.
 - Si utiliza otro prensaestopa distinto del proporcionado, el agua podría filtrarse y dañar el producto.
 - Utilice siempre un cable de red blindado (STP) específico para exteriores entre el producto Axis y el punto final y asegúrese de que dicho punto esté conectado a tierra correctamente. Las instalaciones de productos Axis que utilizan un cable de red blindado (STP) y un punto final correctamente conectado a tierra se han probado de conformidad con los niveles de protección exigidos por el sector, tales como la protección contra sobretensión. Cualquier otro método de instalación anulará la garantía y supondrá un riesgo para la unidad.
 - Deberá guiarse un cable opcional con un diámetro de entre 4,0 mm - 5,5 mm a través de un prensaestopa aparte. Vea *Información general del hardware*, en la página 96.
1. Utilice la plantilla de perforado suministrada para preparar la pared o un poste para instalar la escuadra de pared.
 2. Guíe el cable de red a través de la escuadra de pared y del adaptador de la escuadra. Deje unos 30 cm de cable aproximadamente para conectarlo a la cámara.
 3. Instale la escuadra de pared en una pared, techo o poste utilizando los tornillos y tacos adecuados para el material (por ejemplo, madera, metal, placas de yeso, piedra).

Realice las siguientes acciones para guiar el cable de red y cualquier otro cable opcional:

1. Afloje los tornillos de la cubierta del cable, separe la cubierta del cable de la cubierta inferior.
2. Extraiga la tapa, el tapón y la junta del prensaestopa que vaya a utilizar.
3. Guíe el cable de red a través de la tapa.
4. Deslice el cable de red a través de la hendidura en la junta.
5. Guíe el cable de red a través del prensaestopa.
6. Presione la junta en el prensaestopa y atornille la tapa con firmeza.

Realice lo siguiente para instalar la cámara en la escuadra de pared:

1. Coloque la cámara con la cubierta inferior en la escuadra de pared y apriete los tornillos de la escuadra.
2. Vuelva a colocar la cubierta del cable y apriete los tornillos.
3. Conecte los cables. Vea *Conexión de los cables*, en la página 107.
4. Afloje el tornillo de ajuste de la escuadra para enfocar la cámara; hágalo según las instrucciones incluidas en *Ajuste de enfoque*, en la página 107.
5. Vea también *Acceso al producto*, en la página 107 para acceder a la transmisión de vídeo.
6. Conecte el cable de seguridad de la cubierta superior en la lengüeta de la cubierta inferior. Vea la imagen incluida en *Información general del hardware*, en la página 96.

7. Si lo desea, puede insertar una tarjeta de memoria SD (no incluida) en la ranura de tarjeta SDHC (Secure Digital High Capacity). Se precisa una tarjeta SD estándar o de gran capacidad para el almacenamiento local de las imágenes de la cámara.

Conexión de los cables

1. Si lo desea, puede conectar dispositivos de entrada/salida externos. Vea , en la página 103.
2. Conecte el cable de red al conector de red de la carcasa.

AVISO

Debido a la normativa local o a las condiciones ambientales y eléctricas en las que se vaya a utilizar el producto, puede que sea adecuado u obligatorio el uso de un cable de red blindado (STP). Todos los cables de red que se utilicen en exteriores o en entornos eléctricos exigentes deberán estar blindados (STP) y diseñados para su uso específico.

Acceso al producto

Utilice las herramientas suministradas en el CD del software de instalación y gestión para asignar una dirección IP, establecer la contraseña y acceder a la transmisión de vídeo. Esta información también está disponible en las páginas de asistencia técnica en www.axis.com/techsup/

Ajuste de enfoque

Para ajustar el zoom y el enfoque, siga las instrucciones detalladas a continuación:

Nota

- Antes de iniciar el ajuste preciso automático, establezca el enfoque con la mayor precisión posible con la ayuda del anillo de enfoque o el Asistente de enfoque. Generalmente, los mejores resultados se obtienen con el anillo de enfoque.
 - Durante el enfoque, el iris debe estar abierto al máximo en todo momento. Con esto se consigue la menor profundidad de campo posible y, por tanto, las condiciones óptimas para el enfoque correcto.
1. Abra la página inicial del producto y vaya a **Setup (Configuración) > Basic Setup (Configuración básica) > Focus (Enfoque)**.
 2. En la pestaña **Basic (Básica)**, haga clic en **Open iris (Abrir iris)**. Si el botón no está activo, esto significa que el iris ya está abierto.
 3. Si el enfoque se ha establecido en alguna ocasión anterior, haga clic en **Reset (Restablecer)** para restablecer el enfoque anterior.
 4. Afloje la palanca de zoom y el tornillo de bloqueo del anillo de enfoque (vea *Información general del hardware, en la página 96*) del objetivo girándolos en el sentido contrario a las agujas del reloj. Mueva la palanca de zoom y el anillo de enfoque para establecer el zoom y el enfoque y compruebe la calidad de la imagen en la ventana de imagen. Si la

cámara está montada de manera que no es posible mirar la imagen y mover la palanca de zoom y el anillo de enfoque al mismo tiempo, utilice el Asistente de enfoque en su lugar. Vea *Asistente de enfoque*, en la página 108.

5. Apriete de nuevo la palanca de zoom y el tornillo de bloqueo del anillo de enfoque.
6. En la página de enfoque, haga clic en **Fine-tune focus automatically (Ajustar el enfoque automáticamente)** y espere a que el ajuste preciso automático finalice.
7. Haga clic en **Enable iris (Activar iris)**. Si el botón no está activo, esto significa que el iris ya está activado.
8. En caso necesario, realice ajustes adicionales en la pestaña **Advanced (Avanzada)**. Vea la ayuda en línea para obtener más información.

Asistente de enfoque

Nota

- La vista delante de la cámara no debe cambiar durante el ajuste del enfoque (pasos 5 y 6). Si la cámara se mueve, o si se coloca un dedo u otro objeto delante del objetivo, será preciso repetir los pasos 3 a 7.
- Si no es posible evitar el movimiento delante de la cámara, el Asistente de enfoque no debe utilizarse.
- Si la cámara está montada de manera que no es posible acceder al botón de función, todavía se puede utilizar el Asistente de enfoque. En tal caso, siga las instrucciones detalladas anteriormente pero monte la cámara después del paso 4, en esta ocasión presionando el botón de función, y omita el paso 7.

Para enfocar la cámara de red con la ayuda del Asistente de enfoque, siga los pasos 1 a 3 descritos en *página 107* antes de iniciar la secuencia de pasos detallada a continuación. Vea *Información general del hardware*, en la *página 96*.

1. Monte o coloque la cámara de modo que no pueda moverse.
2. Afloje la palanca de zoom girándola en el sentido contrario a las agujas del reloj. Mueva la palanca para establecer el nivel de zoom. Apriete de nuevo la palanca de zoom.
3. Ponga la cámara en la posición máxima de enfoque lejano; para hacerlo, afloje el tornillo de bloqueo del anillo de enfoque y gire el anillo de enfoque en el sentido contrario a las agujas del reloj hasta el tope.
4. Presione y suelte rápidamente el botón de función. Cuando el indicador LED de estado parpadea en verde, el Asistente de enfoque está activado.

Si el indicador LED de estado parpadea en rojo o ámbar antes de que pueda ajustar el objetivo, omita el paso 7 para salir del Asistente de enfoque y repita los pasos 3 a 7. Vea las notas enumeradas anteriormente. Vea *Comportamiento del indicador LED de estado del Asistente de enfoque*, en la *página 100*.

5. Gire lentamente el anillo de enfoque en el sentido de las agujas del reloj hasta que se detenga.

6. Gire lentamente el anillo de enfoque en el sentido contrario a las agujas del reloj hasta que el indicador LED de estado parpadee en verde o ámbar (no en rojo).
7. Para salir del Asistente de enfoque, presione y suelte rápidamente el botón una vez más. El Asistente de enfoque se desactiva automáticamente transcurridos 15 minutos.
8. Apriete de nuevo el tornillo de bloqueo del anillo de enfoque.
9. Abra la página **Live View (Vista en directo)** en el explorador Web y compruebe la calidad de la imagen.
10. En la página de enfoque, haga clic en **Fine-tune focus automatically (Ajustar el enfoque automáticamente)** y espere a que el ajuste preciso automático finalice.
11. Haga clic en **Enable iris (Activar iris)**. Si el botón no está activo, esto significa que el iris ya está activado.
12. En caso necesario, realice ajustes adicionales en la pestaña **Advanced (Avanzada)**. Vea la ayuda en línea para obtener más información.

Sustitución del objetivo

Con este producto de Axis, es posible utilizar objetivos opcionales.

Para sustituir el objetivo:

1. Desconecte el cable del iris.
2. Desatornille el objetivo estándar.
3. Acople y atornille el nuevo objetivo.

Para cambiar la configuración del iris:

1. Vaya a **Setup > Video and Audio > Camera Settings (Configuración > Vídeo y audio > Configuración de la cámara)**. En **Iris configuration (Configuración de iris)** se muestra el tipo de iris configurado en ese momento.
2. Haga clic en **Edit (Modificar)**.
3. En la lista desplegable, seleccione el objetivo de iris instalado y haga clic en **OK (Aceptar)**.

Para cambiar la configuración del iris de los objetivos de iris de tipo P que no figuren en la lista desplegable:

1. Descargue el archivo de configuración de iris de www.axis.com
2. Vaya a **Setup > Video and Audio > Camera Settings (Configuración > Vídeo y audio > Configuración de la cámara)**. En **Iris configuration (Configuración de iris)** se muestra el tipo de iris configurado en ese momento.
3. En **Iris configuration (Configuración de iris)**: Haga clic en **Edit (Modificar)**.
4. Vaya a la pestaña **Upload (Cargar)**.
5. Haga clic en **Browse (Examinar)** y seleccione el archivo de configuración correspondiente.
6. Haga clic en **Upload (Cargar)**. A continuación, el objetivo de iris instalado debería figurar en la lista desplegable **Iris Selection (Selección de iris)**.

7. En la lista desplegable, seleccione el objetivo de iris instalado y haga clic en **OK (Aceptar)**.

Nota

- En caso de seleccionar un archivo de configuración de iris tipo DC para un iris de tipo P, aparecerá un mensaje de error a continuación del tipo de configuración de iris, en la página **Camera Settings (Configuración de la cámara)**. Para los objetivos de iris de tipo DC personalizados, seleccione la opción de iris de tipo DC genérico.
- No es preciso reiniciar el producto después de cambiar el objetivo. No obstante, sí será preciso reiniciarlo en caso de cambio entre objetivos de iris de tipo P, tipo DC o fijo/manual. Para poder establecer el enfoque y la posición del objetivo, es necesario conectar el producto a la red.

Restablecimiento a la configuración predeterminada de fábrica

Importante

Hay que tener cuidado al restablecer la configuración predeterminada de fábrica. Todos los valores, incluida la dirección IP, se restablecerán a la configuración predeterminada de fábrica.

Nota

Las herramientas del software de instalación y gestión están disponibles en el CD suministrado con el producto, así como en las páginas de asistencia técnica en www.axis.com/techsup.

Para restablecer el producto a la configuración predeterminada de fábrica:

1. Desconecte la alimentación del producto.
2. Mantenga pulsado el botón de control y vuelva a conectar la alimentación. Vea *Información general del hardware*, en la página 96.
3. Mantenga pulsado el botón de control durante 15–30 segundos hasta que el indicador LED de estado parpadee en ámbar.
4. Suelte el botón de control. El proceso finaliza cuando el indicador LED de estado se pone verde. El producto se ha restablecido a la configuración predeterminada de fábrica. Si no hay ningún servidor DHCP disponible en la red, la dirección IP predeterminada es 192.168.0.90.
5. Utilice las herramientas del software de instalación y gestión para asignar una dirección IP, establecer la contraseña y acceder a la transmisión de vídeo.
6. Vuelva a enfocar el producto.

También es posible restablecer los parámetros a los valores predeterminados de fábrica mediante la interfaz web. Para ello, vaya a **Setup > System Options > Maintenance (Configuración > Opciones del sistema > Mantenimiento)**.

Más información

El Manual de usuario se encuentra disponible en www.axis.com.

Visite www.axis.com/techsup para comprobar si existe un firmware actualizado disponible para su producto de red. Para ver la versión del firmware instalado actualmente, vaya a **Setup > About** (Configuración > Acerca de).

Visite el centro de aprendizaje de www.axis.com/academy para consultar guías, tutoriales, seminarios web y cursos que pueden resultarle útiles.

Información de la garantía

Para obtener más información acerca de la garantía del producto Axis e información relacionada, visite www.axis.com/warranty/

安全情報

本製品を設置する前に、このインストールガイドをよくお読みください。インストールガイドは、後で参照できるように保管しておいてください。

危険レベル

▲危険

回避しない場合、死亡または重傷につながる危険な状態を示します。

▲警告

回避しない場合、死亡または重傷につながるおそれのある危険な状態を示します。

▲注意

回避しない場合、軽傷または中程度の怪我につながるおそれのある危険な状態を示します。

注記

回避しない場合、器物の破損につながるおそれのある状態を示します。

その他のメッセージレベル

重要

製品を正しく機能させるために不可欠な重要情報を示します。

注意

製品を最大限に活用するために役立つ有用な情報を示します。

安全手順

注記

- 本製品は、お使いになる地域の法律や規制に準拠して使用してください。
- 本製品を屋外またはそれに準じる環境で使用する場合は、認定済みの屋外用筐体に収納して設置する必要があります。
- 本製品は乾燥した換気のよい環境に保管してください。
- 本製品に衝撃または強い圧力を加えないでください。
- 本製品を不安定なブラケット、表面、または壁に設置しないでください。
- 本製品を設置する際には、適切な工具のみを使用してください。過剰な力がかかると、製品が損傷することがあります。
- 化学薬品、腐食剤、噴霧式クリーナーは使用しないでください。清掃には、きれいな水に浸した清潔な布を使用してください。
- 製品の技術仕様に準拠したアクセサリのみを使用してください。これらのアクセサリは、Axisまたはサードパーティから入手できます。
- Axisが提供または推奨する交換部品のみを使用してください。
- 製品を自分で修理しないでください。修理については、Axisサポートまたは販売代理店にお問い合わせください。

輸送

注記

- 本製品を運搬する際は、製品が損傷しないよう、元の梱包か同等の梱包を使用してください。

バッテリー

本製品は、内部リアルタイムクロック (RTC) 用電源として、3.0 V BR/CR2032リチウムバッテリーを使用します。このバッテリーは、通常条件下で最低5年間使用できます。

バッテリーが低電力状態になると、RTCの動作に影響し、電源を入れるたびにRTCがリセットされます。バッテリーの交換が必要になると、製品のサーバーレポートにログメッセージが表示されます。サーバーレポートの詳細については、製品の設定ページを参照するか、Axisサポートまでお問い合わせください。

必要な場合以外はバッテリーを交換しないでください。バッテリーの交換が必要な場合は、Axisサポート (www.axis.com/techsup) までご連絡ください。

▲警告

- バッテリーは、正しく交換しないと爆発する危険があります。
- 交換用バッテリーとしては、同一品またはAxisが推奨するバッテリーのみを使用してください。
- 使用済みバッテリーは、地域の規制またはバッテリーメーカーの指示に従って廃棄してください。

インストールガイド

このインストールガイドでは、AXIS Q1615-Eネットワークカメラをお使いのネットワークにインストールする手順について説明します。本製品の使用の詳細については、Axisのホームページ (www.axis.com)

)でユーザーズマニュアルを参照してください。

設置手順

1. パッケージの内容、ツールなど、設置に必要な物がそろっているかを確認します。ページ117を参照してください。
2. 「ハードウェアの概要」をよく読みます。ページ118を参照してください。
3. 「仕様」をよく読みます。ページ125を参照してください。
4. ハードウェアの設置。ページ127を参照してください。
5. 製品にアクセスします。ページ129を参照してください。
6. フォーカスを設定します。ページ129を参照してください。

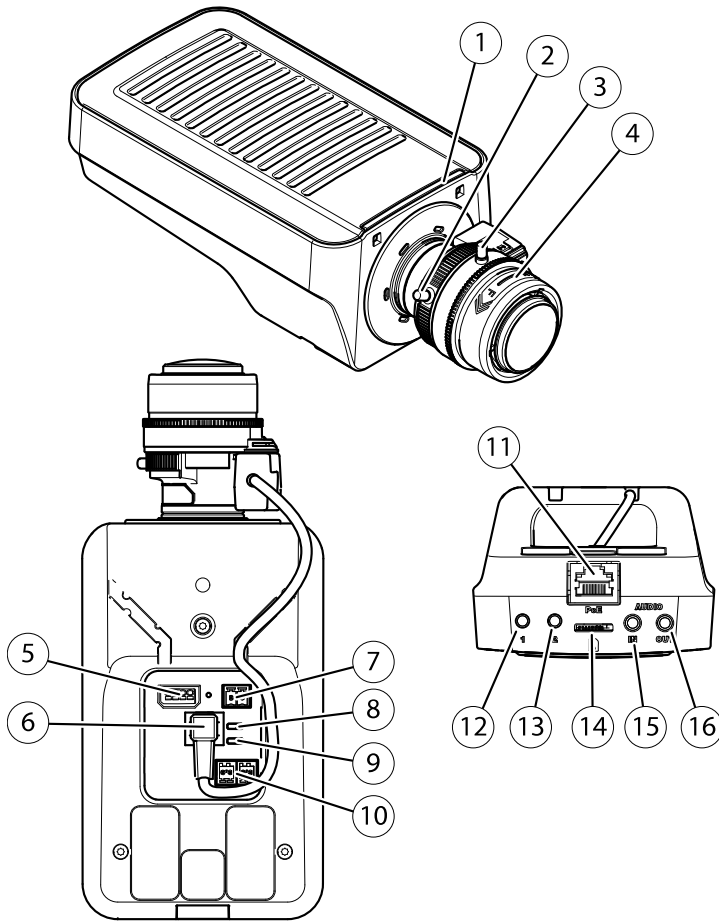
パッケージの内容

- AXIS Q1615-Eネットワークカメラ
- 4ピン外部デバイス接続用I/Oコネクタブロック
- 2ピンRS485/422コネクタブロック×2
- 壁設置用アタッチメント
- トルクスT20ドライバー
- インストール・管理ソフトウェアCD
- 印刷物
 - インストールガイド(本書)
 - 予備のシリアル番号ラベル×2
 - AVHS認証キー

オプションのアクセサリ

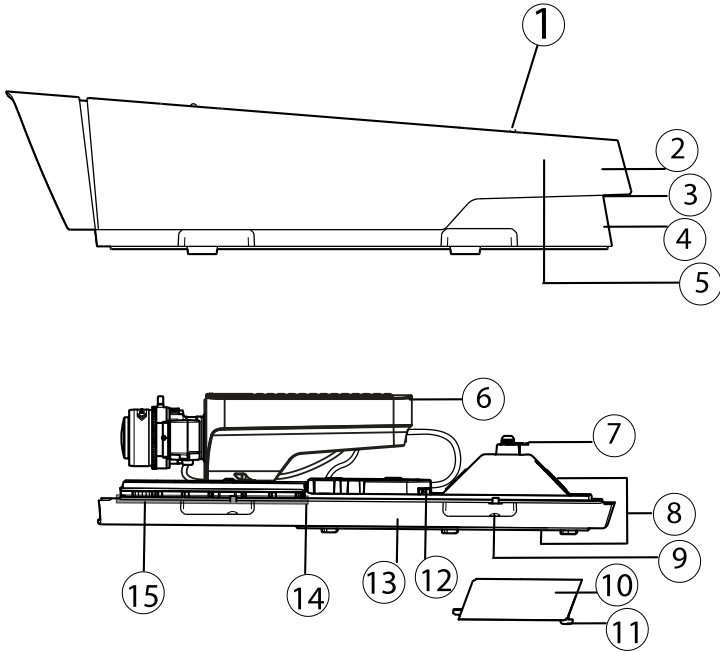
電源アクセサリ、屋外用ハウジングなど、使用可能なアクセサリについての情報は、www.axis.comをご覧ください。

ハードウェアの概要



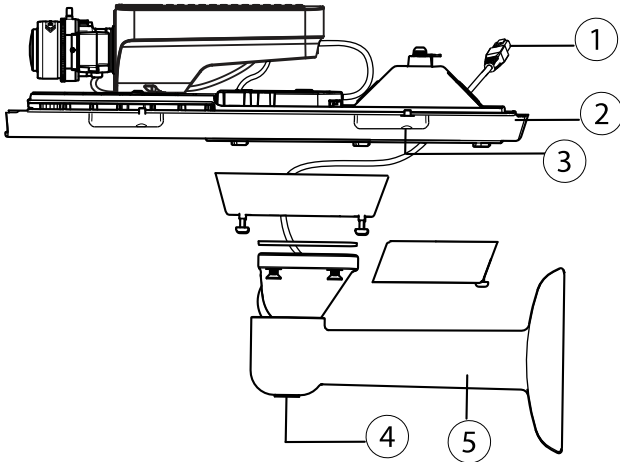
1. ステータスLEDインジケータ
2. ズーム調整レバー
3. フォカスリング固定ネジ
4. フォカスリング
5. I/Oコネクタ
6. アイリスコネクタ
7. 電源コネクタ
8. 電源LEDインジケータ
9. ネットワークLEDインジケータ

10. RS485/RS422コネクタ
11. ネットワークコネクタ (PoE)
12. コントロールボタン (1)
13. 機能ボタン (2)
14. microSDカードスロット
15. 音声入力
16. 音声出力



1. サンシールド調節ネジ (×2)
2. サンシールド
3. 型番 (P/N) とシリアル番号 (S/N) インストール時にシリアル番号が必要になる場合があります。
4. 上蓋
5. 除湿膜。取り外さないでください!
6. ネットワークカメラ
7. 安全ワイヤータブ
8. ケーブルグランド付きケーブル孔
9. 裏蓋ネジ (×4)
10. ケーブルカバー
11. ケーブルカバーネジ (×2)

12. ネットワークコネクタ
13. 裏蓋
14. ヒーター **注意!**高温になることがあります
15. ヒーター **注意!**高温になることがあります



1. ネットワークケーブル (壁面ブラケットに通す)
2. 裏蓋
3. 裏蓋ネジ (×4)
4. ブラケット調節ネジ
5. 壁設置用アタッチメント

LEDインジケータ

LED	色	説明
ネットワーク	緑	100Mbit/sネットワークに接続している場合、点灯します。ネットワークパケットを送受信した場合、点滅します。
	黄	10Mbit/sネットワークに接続している場合、点灯します。ネットワークパケットを送受信した場合、点滅します。
	無点灯	ネットワークに接続されていません。
ステータス	緑	通常動作の場合、点灯します。
	黄	起動時、設定の復元時に点灯します。
	赤	アップグレードに失敗すると、ゆっくりと点滅します。

電源	緑	正常動作
	黄	ファームウェアのアップグレード中、緑/黄に交互に点滅します。

注意

- ステータスLEDは、正常動作時に消灯させることができます。設定は、**[Setup - System Options - Ports & Devices - LED] (設定 - システムオプション - ポートとデバイス - LED)**で行います。詳細については、オンラインヘルプを参照してください。
- ステータスLEDは、イベントの発生時に点滅させることができます。
- ステータスLEDを点滅させ、本製品を識別できるように設定することができます。設定は、**[Setup - System Options - Maintenance] (設定 - システムオプション - 保守)**で行います。
- 電源LEDは、正常動作時に消灯させることができます。設定は、**[Setup - System Options - Ports & Devices - LED] (設定 - システムオプション - ポートとデバイス - LED)**で行います。詳細については、オンラインヘルプを参照してください。
- ネットワークLEDは、ネットワークトラフィックがあるときに点滅しないように無効にすることができます。設定は、**[Setup - System Options - Ports & Devices - LED] (設定 - システムオプション - ポートとデバイス - LED)**で行います。詳細については、オンラインヘルプを参照してください。

LED	色	説明
ハウジング (ファンおよびヒーター)	緑	正常動作
	緑の点滅	1回点滅: ヒーターのエラー 2回点滅: ファンのエラー 3回点滅: 一般エラー アラームイベントはカメラの入力ポートの状態に従って、トリガーされます。 スペアパーツおよびトラブルシューティングについては、Axisの販売代理店までお問い合わせください。

注意

上記の表で説明しているステータスLEDはハウジング内にあります。

フォーカスアシスタントのステータスLED

色	意味
緑	フォーカスアシスタントが有効 レンズは最適に調節されています。
黄	カメラが動いたか、レンズの前に物体が入り込みました。フォーカスアシスタントを終了して、再度開始してください。 レンズの調節は最適ではありません。
赤	カメラが動いたか、レンズの前に物体が入り込みました。フォーカスアシスタントを終了して、再度開始してください。 レンズの調節が不適切な状態です。

フォーカスアシスタントに関するブザー信号

ブザー	レンズ
速い間隔	最適な調節
中程度の間隔	調節は最適ではない
遅い間隔	調節は不適切

水平化アシスタントのステータスLEDとブザー信号

カメラの水平化に使用する機能ボタンの詳細については、コネクタとボタンを参照してください。

色	ブザー	カメラの位置
緑: 点灯	連続音	水平
緑: 点滅	短い間隔	ほぼ水平
橙: 点滅	中程度の間隔	水平ではない
赤: 点滅	長い間隔	かなり傾いている

コネクタとボタン

仕様と動作条件については、ページ 125を参照してください。

ネットワークコネクタ

RJ45イーサネットコネクタ。PoE (Power over Ethernet) をサポート。

注記

本製品を使用する場所の地域条例、環境、電気的条件によっては、シールドネットワークケーブル (STP) の使用が推奨または必要になります。野外または電氣的に厳しい環境にネットワークケーブルを配線する場合は、個別の用途に合ったシールドネットワークケーブル (STP) を使用してください。ネットワークスイッチは適切に接地してください。法的な要求事項については、*Electromagnetic Compatibility (EMC), on page 2*を参照してください。

I/Oコネクタ

外部装置を接続し、カメラに対するいたずらの警報、動体検知、イベントトリガー、タイムラプス撮影、アラーム通知などを使用することができます。I/Oコネクタは、0V DC基準点と電力 (DC出力) に加えて、以下のインターフェースを提供します。

- **デジタル出力** - リレーやLEDなどの外部デバイスを接続します。接続されたデバイスは、VAPIX®アプリケーションプログラミングインターフェース (API)、[Live View] (ライブビュー) ページの出力ボタン、アクションルールを使用してアクティブにすることができます。アラームデバイスがアクティブな場合、出力がアクティブと表示されます ([System Options] (システムオプション) - [Port & Devices] (ポートとデバイス) で表示)。
- **デジタル入力** - 回路の開閉の切り替えが可能なデバイス (PIR、ドアや窓のコンタクト、ガラス破損検知器など) を接続するためのアラーム入力です。信号を受け取ると状態が変化し、入力がアクティブになります ([System Options] (システムオプション) - [Port & Devices] (ポートとデバイス) で表示)。

注意

I/Oコネクタは、出荷時に筐体 (ファン/ヒーター) に接続されます。ファンまたはヒーターにエラーが発生すると、カメラで入力信号がトリガーされます。カメラのアクションルールを設定して、その信号でトリガーするアクションを設定してください。イベントとアクションルールについては、Axisのホームページ (www.axis.com) でユーザーズマニュアルを参照してください。

音声コネクタ

本製品は、以下の音声コネクタを搭載しています。

- **音声入力 (ピンク)** - モノラルマイクロフォンまたはライン入力モノラル信号用 (左チャンネルはステレオ信号で使用) 3.5 mm入力。
- **音声出力 (緑)** - 3.5 mmの音声 (ラインレベル) 用出力 (パブリックアドレス (PA) システムまたはアンプ内蔵アクティブスピーカーに接続可能)。音声出力には、ステレオコネクタを使用する必要があります。

RS485/RS422 コネクタ

PTZデバイスなど補助装置の制御に使用する、RS485/RS422シリアルインターフェース用のターミナルブロック×2

SDカードスロット

microSDカード (付属していません) を使用すると、カメラのローカルで録画が行えます。。詳細については、仕様 ページ 125を参照してください。

注記

録画データが破損しないように、SDカードはマウント解除してから取り外す必要があります。マウントを解除するには、**[Setup - System Options - Storage - SD Card] (設定 - システムオプション - ストレージ - SDカード)** の順に選択し、**[Unmount] (マウント解除)** をクリックします。

コントロールボタン

コントロールボタンは、以下の用途で使用します。

- 製品を工場出荷時の設定にリセットする。ページ 132を参照してください。
- AXIS Video Hosting SystemサービスまたはAXIS Internet Dynamic DNSサービスに接続する。これらのサービスの詳細については、ユーザーズマニュアルを参照してください。

機能ボタン

機能ボタンは、以下の機能を備えています。

- **水平化アシスタント** - カメラを水平にするのに役立つ機能です。ボタンを約3秒押し続けると水平化アシスタントが始動し、もう一度押すと停止します。ステータスLED (ページ 122参照) とブザー信号 (ページ 122参照) を使用して、カメラの水平化を行います。カメラが水平になると、ブザーが連続音になります。
- **フォーカスアシスタント** - この機能はフォーカスアシスタントを有効にするために使用します。フォーカスアシスタントを有効にするには、ボタンを押してすぐに離します。もう一度押すと、フォーカスアシスタントが停止します。詳細については、ページ 130を参照してください。

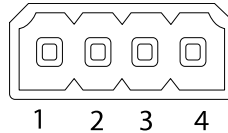
仕様

製品	温度	湿度
AXIS Q1615-E	PoE使用時: -30°C ~ 50°C 、 High PoE使用時: -40°C ~ 50°C	10~100% RH (結露可)

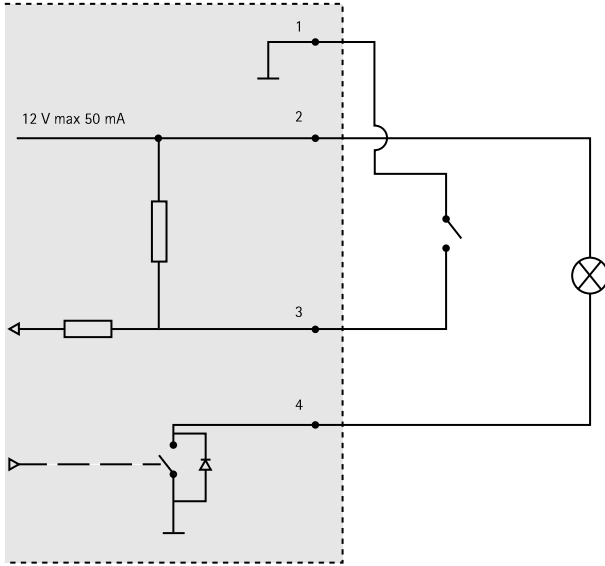
I/Oコネクタ

4ピンターミナルブロック

- 補助電源 (DC出力)
- デジタル入力
- デジタル出力
- 0V DC (-)



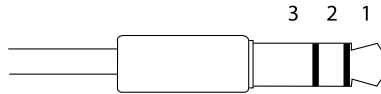
機能	ピン	備考	仕様
0V DC (-)	1		
DC出力	2	補助装置の電源供給に使用できます。 備考: このピンは、電源出力としてのみ使用できます。	12V DC 最大負荷 = 50 mA
入力または出力として設定	3-4	デジタル入力 - 動作させるにはピン1に接続し、動作させない場合はフロート状態 (未接続) のままにします。	0~30V DC (最大)
		デジタル出力 - 動作させるにはピン1に接続し、動作させない場合はフロート状態 (未接続) にします。リレーなどの誘導負荷とともに使用する場合は、過渡電圧から保護するため、ダイオードを負荷と並列に接続する必要があります。	0~30V DC (最大)、 オープンドレイン、100 mA



- 3. I/O (入力として設定)
- 4. I/O (出力として設定)

音声コネクタ—

3.5 mm 音声コネク
ター (ステレオ)

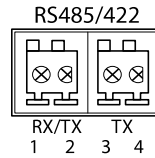


	音声入力	音声出力
1 先端部	マイクロフォン/ライン入力	ライン出力 (モノラル)
2 リング		
3 スリーブ	グラウンド	グラウンド

RS485/422 コネクタ

RS485/RS422シリアルインターフェース用2ピンのターミナルブロック×2。シリアルポートの設定により、次のモードをサポート可能。

- 2ワイヤーRS485半二重
- 4ワイヤーRS485全二重
- 2ワイヤーRS422単方向
- 4ワイヤーRS422全二重ポイントツーポイント通信



機能	ピン	備考
RS485BまたはRS485/422 RX(B)	1	すべてのモードのRXペア (2ワイヤーRS485のRX/TXペア)
RS485A5BまたはRS485/422 RX(A)	2	
RS485/RS422 TX(B)	3	RS422および4ワイヤーRS485のTXペア
RS485/RS422 TX(A)	4	

重要

ケーブルの推奨最大長は30 mです。

SDカードスロット

最大64 GBのmicroSDカードに対応します。最高の録画パフォーマンスを得るには、microSDHC UHS-IまたはmicroSDXC UHS-Iカードを使用してください。設置環境の気温が-25°Cを下回る場合は、産業用途のSDカードを使用してください。

ハードウェアの設置

以下の手順で、壁面ブラケットを取り付けます。

注意

- カメラの重量は3.525 gです。この重量を十分に支えられる材質かどうかを確認してください。
- 付属のケーブルグランド以外は使用しないでください。隙間から内部に水が入り込み、製品が破損するおそれがあります。
- 本製品とエンドポイントは、屋外用のシールドネットワークケーブル (STP) を使用して接続してください。また、エンドポイントが適切に接地されていることを確認してください。シールドネットワークケーブル (STP) と適切に接地されたエンドポイントを使用して本製品を設置した場合、サージ保護など、業界の耐性基準レベルを満たすことが確認済みです。他の方法で取り付けを行うと、保証の対象外となり、装置に問題が発生するおそれがあります。
- オプションのケーブル (直径 4.0~5.5 mm) は、個別のケーブルグランドで配線する必要があります。ハードウェアの概要, ページ 118 を参照してください。

1. 付属のドリルテンプレートを使用して、壁または支柱に壁面ブラケットを取り付ける準備を行います。
2. ネットワークケーブルを壁面ブラケットとブラケットアダプターに通します。カメラとの接続用に30cmほどケーブルを残します。
3. 材質 (木材、金属、シートロック、石材など) に適したネジとプラグを使用して、壁面ブラケットを壁、天井、または支柱に取り付けます。

以下の手順で、ネットワークケーブルとその他の (オプションの) ケーブルを配線します。

1. ケーブルカバーのネジをゆるめ、ケーブルカバーを裏蓋から取り外します。
2. 使用するケーブルグランドからキャップ、プラグ、ガスケットを取り外します。
3. ネットワークケーブルをキャップに通します。
4. ネットワークケーブルをガスケットの溝に沿ってスライドさせます。
5. ネットワークケーブルをケーブルグランドに通します。
6. ガスケットをケーブルグランドの中まで押し込み、キャップをしっかりと締めます。

以下の手順で、カメラを壁面ブラケットに取り付けます。

1. カメラの裏蓋を壁面ブラケットに当て、ガスケットネジを締めます。
2. ケーブルカバーを取り付け、ネジを締めます。
3. ケーブルを接続します。ケーブルの接続, ページ 129 を参照してください。
4. ブラケット調節ネジをゆるめてカメラのフォーカスを合わせます。フォーカスの調節, ページ 129 の指示に従ってカメラのフォーカスを合わせます。
5. ビデオストリームへのアクセスについては製品へのアクセス, ページ 129 を参照してください。
6. 上蓋の安全ワイヤーを裏蓋のタブに取り付けます。ハードウェアの概要, ページ 118 の図を参照してください。

7. 必要に応じて、SDメモリーカード (付属していません) をSDHC (Secure Digital High Capacity) カードスロットに挿入します。カメラに映像を保存するには、標準または大容量のSDカードが必要です。

ケーブルの接続

1. 必要に応じて、外部入力/出力装置を接続します。、ページ 125を参照してください。
2. ネットワークケーブルを筐体のネットワークコネクタに接続します。

注記

本製品を使用する場所の地域条例、環境、電気的条件によっては、シールドネットワークケーブル (STP) の使用が推奨または必要になります。野外または電氣的に厳しい環境にネットワークケーブルを配線する場合は、個別の用途に合ったシールドネットワークケーブル (STP) を使用してください。

製品へのアクセス

IPアドレスの割り当て、パスワードの設定、ビデオストリームへのアクセスを行うには、インストール・管理ソフトウェアCDに収録されているツールを使用します。この情報は、Axisのサポートページ (www.axis.com/techsup) にも掲載されています。

フォーカスの調節

ズームとフォーカスを調整するには、以下の手順にしたがいます。

注意

- フォーカスリングかフォーカスアシスタントを使用して、フォーカスをできるだけ正確に設定してから、自動微調整を開始します。通常は、フォーカスリングを使用して、最適な結果を得ることができます。
 - フォーカスを合わせているときは、常に絞りを最大に開いておく必要があります。これにより被写界深度が最小となり、フォーカス補正に最適な条件になります。
1. 製品のホームページを開き、[Setup - Basic Setup - Focus] (設定 - 基本設定 - フォーカス) を選択します。
 2. [Basic] (ベーシック) タブで、[Open iris] (開く) をクリックします。絞りがすでに開いている場合、このボタンは使用できない状態になっています。
 3. 以前にフォーカスを設定している場合は、[Reset] (元に戻す) をクリックしてバックフォーカスのリセットを行います。
 4. レンズのズーム調整レバーとフォーカスリングの固定ネジ (ハードウェアの概要、ページ 118を参照) を、反時計回りに回してゆるめます。ズーム調整レバーとフォーカスリングを動かしてズームとフォーカスを調整し、映

縦ウィンドウで画質を確認します。映像を見ながらズーム調整レバーとフォーカスリングを同時に動かせるようにカメラが設置されていない場合は、フォーカスアシスタントを使用します。フォーカスアシスタント、ページ 130 を参照してください。

5. ズーム調整レバーとフォーカスリングの固定ネジを締め直します。
6. [Focus] (フォーカス) ページで、**[Fine-tune focus automatically]** (オートフォーカス微調整) をクリックして、自動微調整の完了を待ちます。
7. **[Enable iris] (絞り有効)** をクリックします。絞りがすでに有効な場合、このボタンは使用できない状態になっています。
8. 必要に応じて、**[Advanced] (高度な設定)** タブでさらに調整を行います。詳細については、オンラインヘルプを参照してください。

フォーカスアシスタント

注意

- フォーカスの調整中 (手順5、6) はカメラ前の被写体に変化しないようにしてください。カメラが動いたり、レンズの前に指やその他の物体が入り込んだ場合は、手順3～7を繰り返す必要があります。
- カメラの前の被写体の動きを止めることができない場合は、フォーカスアシスタントを使用しないでください。
- 機能ボタンに手が届かない場所にカメラを設置する場合でも、フォーカスアシスタントを使用できます。手順4までは上記の手順にしたがい、機能ボタンを押してからカメラを設置し、手順7はスキップします。

フォーカスアシスタントを使用してネットワークカメラのフォーカスを合わせる場合は、ページ 129 の手順1～3の指示にしたがい、その後、以下の手順を開始してください。ハードウェアの概要、ページ 118 を参照してください。

1. カメラが動かないようにしっかりと固定します。
2. ズーム調整レバーを反時計回りに回してゆるめます。レバーを動かしてズーム倍率を設定します。ズーム調整レバーを締め直します。
3. フォーカスリングの固定ネジをゆるめてフォーカスリングを反時計方向にいっぱいまで回し、最も離れた位置にフォーカスを合わせます。
4. 機能ボタンを押して、すぐに離します。ステータスLEDが緑色に点滅して、フォーカスアシスタントが有効になります。
 レンズの調整が可能になる前にステータスLEDが赤または黄色に点滅する場合は、手順7にしたがってフォーカスアシスタントを終了してから手順3～7を繰り返してください (上記の注を参照)。フォーカスアシスタントのステータスLED、ページ 122 を参照してください。
5. フォーカスリングを時計方向にいっぱいまでゆっくりと回します。
6. ステータスインジケータが緑または黄色 (赤以外) に点滅するまでフォーカスリングを反時計方向にゆっくりと回します。

- 機能ボタンをもう一度押し、フォーカスアシスタントを終了します。フォーカスアシスタントは15分後に自動的にオフになります。
- フォーカスリングの固定ネジを締め直します。
- Webブラウザで **[Live View] (ライブビュー)** ページを開き、映像の画質を確認します。
- [Focus] (フォーカス)** ページで、**[Fine-tune focus automatically] (オートフォーカス微調整)** をクリックして、自動微調整の完了を待ちます。
- [Enable iris] (絞り有効)** をクリックします。絞りがすでに有効な場合、このボタンは使用できない状態になっています。
- 必要に応じて、**[Advanced] (高度な設定)** タブでさらに調整を行います。詳細については、オンラインヘルプを参照してください。

レンズの交換

本製品ではオプションのレンズの使用が可能です。

レンズを交換する手順は以下のとおりです。

- アイリスケーブルを外します。
- 標準のレンズのネジを外します。
- 新しいレンズを取り付けます。

絞り設定を変更する手順は以下のとおりです。

- [Setup - Video and Audio - Camera Settings] (設定 - ビデオと音声 - カメラの設定)** を選択します。**[Iris configuration] (絞り設定)** に、現在設定されている絞りのタイプが表示されています。
- [Edit] (編集)** をクリックします。
- 取り付けられている絞りレンズをドロップダウンリストから選択し、**[OK]** をクリックします。

ドロップダウンリストに表示されないPアイリスレンズの絞り設定を変更する手順は以下のとおりです。

- www.axis.com から絞り設定ファイルをダウンロードします。
- [Setup - Video and Audio - Camera Settings] (設定 - ビデオと音声 - カメラの設定)** を選択します。**[Iris configuration] (絞り設定)** に、現在設定されている絞りのタイプが表示されています。
- 絞り設定: [Edit] (編集)** をクリックします。
- [Upload] (アップロード)** タブに移動します。
- [Browse] (参照)** をクリックして、設定ファイルを選択します。
- [Upload] (アップロード)** をクリックします。**[Iris Selection] (絞りの選択)** ドロップダウンリストに、取り付けられているアイリスレンズが表示されます。

7. 取り付けられているアイリスレンズをドロップダウンリストから選択し、**[OK]** をクリックします。

注意

- Pアイリスレンズに対してDCアイリス設定ファイルを選択すると、**[Camera Settings] (カメラの設定)** ページの絞り設定タイプに、エラーメッセージが表示されます。DCアイリスレンズの場合は、**[Generic DC Iris] (汎用DCアイリス)** オプションを選択してください。
- レンズの交換後にカメラを再起動する必要はありません。ただし、PアイリスとDCアイリス、または固定絞りレンズと手動絞りレンズを入れ替えたときは、再起動が必要になります。フォーカスの設定とレンズの位置合わせを行うには、製品をネットワークに接続する必要があります。

工場出荷時の設定にリセットする

重要

工場出荷時の設定へのリセットは慎重に行ってください。工場出荷時の設定へのリセットを行うと、IPアドレスを含むすべての設定が工場出荷時の値にリセットされます。

注意

インストール・管理ソフトウェアツールは、製品に付属のCDと、www.axis.com/techsupのサポートページから入手できます。

本製品を工場出荷時の設定にリセットするには、以下の手順を実行します。

1. 本製品の電源を切ります。
2. コントロールボタンを押しながら、電源を再投入します。*ハードウェアの概要* ページ 118 コントロールボタンの場所は、2ページを参照してください。
3. ステータスインジケータLEDが黄色に点滅するまで、コントロールボタンを押し続けます (約15~30秒間)。
4. コントロールボタンを離します。プロセスが完了すると、ステータスインジケータLEDが緑色に変わります。これで本製品は工場出荷時の設定にリセットされました。ネットワーク上に利用可能なDHCPサーバーがない場合、デフォルトのIPアドレスは192.168.0.90になります。
5. インストール・管理ソフトウェアツールを使用して、IPアドレスの割り当て、パスワードの設定、ビデオストリームのアクセスを行います。
6. 本製品のフォーカスを調節します。

Webインターフェースを使用して、各種パラメーターを工場出荷時の設定に戻すことも可能です。**[Setup - System Options - [Maintenance] (設定 - システムオプション - 保守)** を選択します。

関連情報

ユーザーマニュアルは www.axis.com からご利用いただけます。

ご利用のネットワーク製品のファームウェアアップデートについては www.axis.com/techsup/ でご確認ください。現在インストールされているファームウェアのバージョンを確認するには、**[Setup - About] (設定 - バージョン情報)** を参照してください。

Axisラーニングセンター (www.axis.com/academy) にアクセスしてください。役に立つトレーニング、Webセミナー、チュートリアル、ガイドをご用意しています。

保証

Axisの製品保証と関連情報については、www.axis.com/warranty をご覧ください。

